

EASYStand[®]

5000 YOUTH

Owner's Manual



Table of Contents

Introduction	1
Safety Precautions	2
Assembly	3-15
Using Your EasyStand	16-19
Parts & Options	20-40
Health Benefits	41
User Log	42
Specifications	43
Limited Warranty	44

Introduction

Congratulations on your purchase of the EASYSTAND 5000 YOUTH standing frame! We at Altimate Medical, Inc. have designed the EasyStand 5000 YOUTH with your comfort and happiness in mind.

This manual is an integral part of your standing system and should be read completely and thoroughly by anyone that will be operating the unit.

This will ensure that the EasyStand 5000 YOUTH is assembled properly and then used in the most beneficial manner.

AMI recommends that an attendant be present when the EasyStand 5000 Youth is being used.

Should any problem arise that you cannot solve by reading this manual, please contact your local dealer or call Altimate Medical, Inc. at 1-800-342-8968 or 507-697-6393. You can also email us at info@easystand.com.

It is important and necessary that you inspect your EasyStand 5000 YOUTH periodically to assure that it is in safe operating condition. Minor adjustments can be made by the operator. However, replacement of worn parts, major adjustments, or any other important corrections should be handled by an authorized dealer or service center. Only Altimate Medical, Inc. approved replacement parts should be used to ensure safety and performance.

The EasyStand 5000 YOUTH should not be used by any individual with paralysis of either the upper and/or lower body that has been confined to a bed or wheelchair for an extended period of time without first consulting a qualified physician.

Failure to consult a qualified physician prior to using the EasyStand 5000 YOUTH could lead to severe medical problems. We recommend that a good standing program be established and supervised by a qualified registered physical therapist.

Date Purchased _____ Serial # _____

Safety Precautions

- **The EasyStand 5000 Youth is designed to accommodate *most* individuals from 4'- 5'6" (122cm-168cm) and up to 180 lbs (82kg). If you do not meet these specifications and have not been properly fit by a qualified therapist or physician, Altimate Medical Inc. does not recommend that you use the EasyStand 5000 Youth.**
- **Altimate Medical Inc. recommends that you consult with your therapist or physician prior to starting a standing program.**
- Check your EasyStand periodically to make sure that all nuts, bolts and adjustable parts are tightened securely.
- Never reposition the foot holders while you are in the standing position. Consult with your therapist or doctor for proper foot placement and angle.
- If the unit was exposed to temperatures of less than 50 °F (23.5 °C), you must allow the unit to warm to room temperature before use.
- Use body weight to lower the seat. Do not use excessive force.
- The EasyStand is for indoor use only.
- Extreme movement in the EasyStand may cause it to tip.
- If you ordered casters or the mobile option, you should always put the casters and/or wheels in the locked position before transferring into the EasyStand. Use these locks whenever you want to keep the EasyStand stationary.
- Do not use the mobile option on ramps or uneven floors.

#1 Depending on what base style you ordered you will have either level glides (standard), casters, or the mobile option. Turn the base over as shown and locate the enclosed tool package.

Many of the pictures in this manual show the optional ratchet handles. You may have the standard knobs.



#2 If you ordered the high back extension, the anti-tips must be installed with the rear level glides as shown.

Tighten securely.



#3 If you ordered level glides, turn the level glides into the threaded holes in the back of the base and tighten securely. Insert end caps.



#4 The front level glides (with adapters) must be tightened securely onto the frame as shown. Level glides will come with anti-tips when ordered with the clear desk table. Position the anti-tip between the level glide and the adapter pointing outward. After attaching adapter thread the level glide in securely.



#5 If you ordered the high back extension, the anti-tips must be installed with the rear casters as shown.

Tighten securely.



#6 If you ordered the formed table and casters, thread the casters into the front and rear and tighten securely.

Caution: The casters must be threaded all the way in.



#7 The front casters (with adapter) must be attached securely into the frame as shown. (fig. A) Then thread the caster completely into the adapter with the enclosed wrench. The anti-tips must be installed when used with the clear desk table. (fig. B)



#8 If you ordered the mobile option, install the two casters into the back of the unit (as in figure #5 or 6, page 4) then install the drive wheels into the front.

Tighten securely.

If you ordered the Mobile Option refer to the assembly instructions you received.

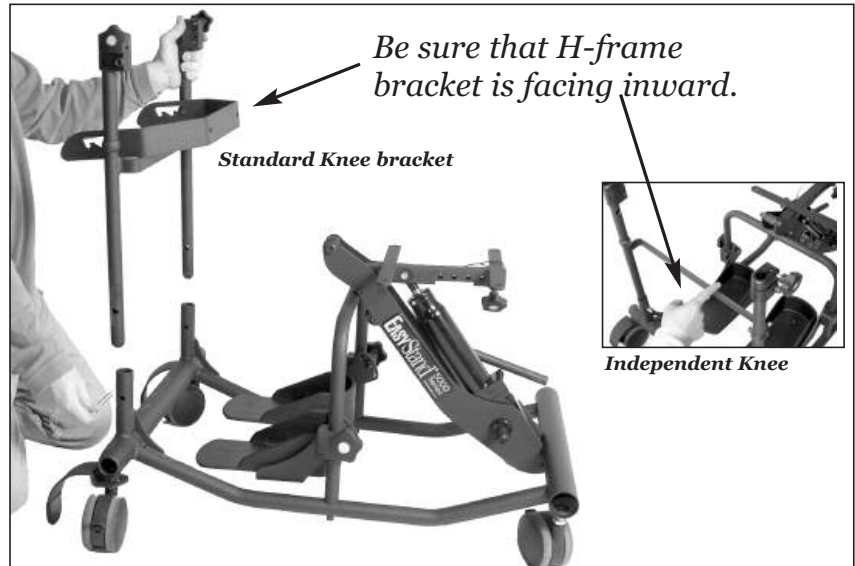


#9 If you ordered the optional table swing-away sleeve mount it before installing the table frame. It can be mounted on the right or left side.

Put the quick pin back into the other side. Only one quick pin will be used if you have the table swing-away sleeve option.



#10 With your unit in the upright position, remove the quick pins. Place H-frame into base with kneepad bracket facing inward. Replace quick pins.



#11 Attach the kneepad and tighten securely.

Caution: Keep kneepad in the lower position, when not in use, to avoid possible injury.



#12 If you ordered the independent adjustable kneepad, slide the notch onto the pegs of the lower table H-frame.

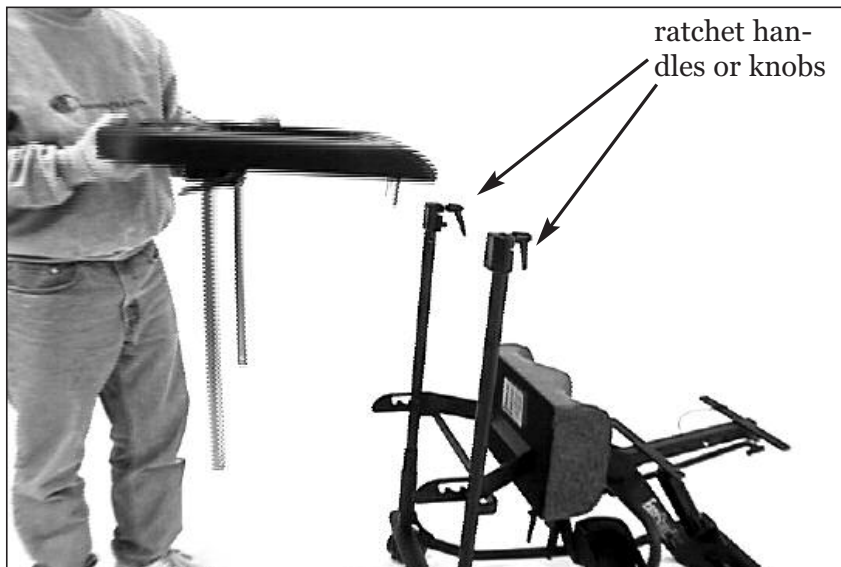
Note: Table H-frame must be installed properly for kneepad to function.

Caution: Keep kneepad in the lower position, when not in use, to avoid possible injury.



#13 To install the table, loosen the H-frame knobs slightly, be sure the front pad bracket faces toward the seat.

Note: If you ordered the clear desk table the front anti-tips must be installed as in step #7.



#14 Insert the table into the H-frame and push the spring button to continue installation. Tighten the knobs or the optional ratchet handles.

Note: Spring button indicates the highest allowable table adjustment. **There is only one spring button.**



#15 Attach the front pad and tighten securely.



#16 The actuator handle can be installed on the right or left side.



#17 Attach the actuator handle so that the handle is near vertical. Use the enclosed allen wrench and a multi-use wrench.

Tighten Securely.



#18 If you ordered the removable actuator handle it can be removed by loosening the knob as shown.



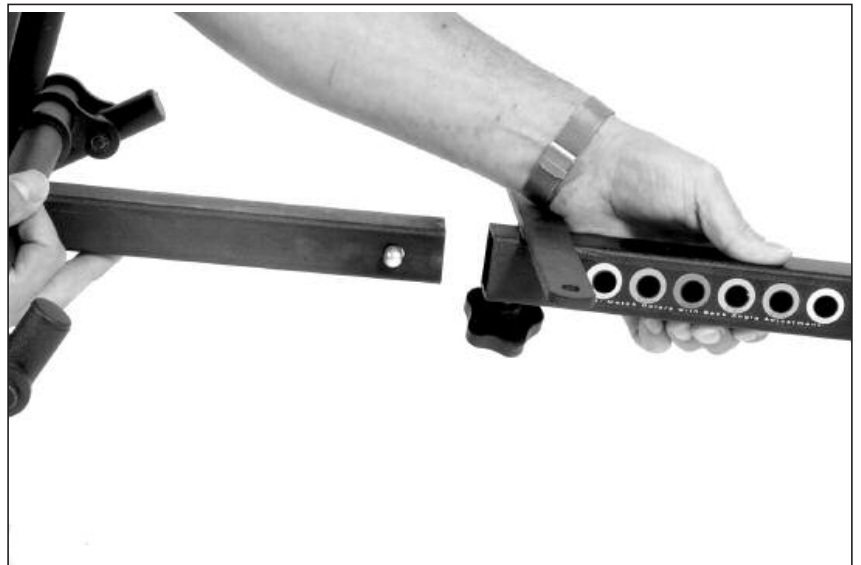
#19 To install the back option, loosen the quick adjust knob on the square tube. Press the spring button on the lower following arm and insert it into the round corresponding tube. Continue pressure until you hear the spring button "click".



#20 Slide the upper square back tube into the corresponding seat adjustment tube.

Depress the spring button to insert and continue until you here a "click".

Note: *If colors do not match, damage to the unit will occur when going to the standing position.*



#21 Be sure that the colors on the following arm and the seat adjustment tube are the same. If colors are not the same, damage will occur to the unit when raised to the standing position.

Tighten the quick adjust knob securely.



#22 To install the seat, first raise the seat by pumping the actuator handle.



#23 The bolts for the seat are found in the seat.

Remove bolts and place the seat onto the frame, narrow end toward the rear of the unit.

Tighten securely.



#24 Lower the seat by applying weight and pulling back gently on the actuator handle.



#25 Side supports mount under the seat. Loosen the quick adjust knob and depress the spring button. Hip guide will snap into maximum width. *(Picture shown is side support with optional padded hip guide.)*

Note: *If you ordered the high back extension go to #27.*



#26 Attach the back pad and tighten securely.



#27 If you ordered the high back extension, slide it into the back frame before installing the lower back. Then install the lower back pad with the attached bolts.

Tighten Securely.



#28 To adjust the footrests, loosen the knobs and pivot the foot rests forward, then tighten securely.

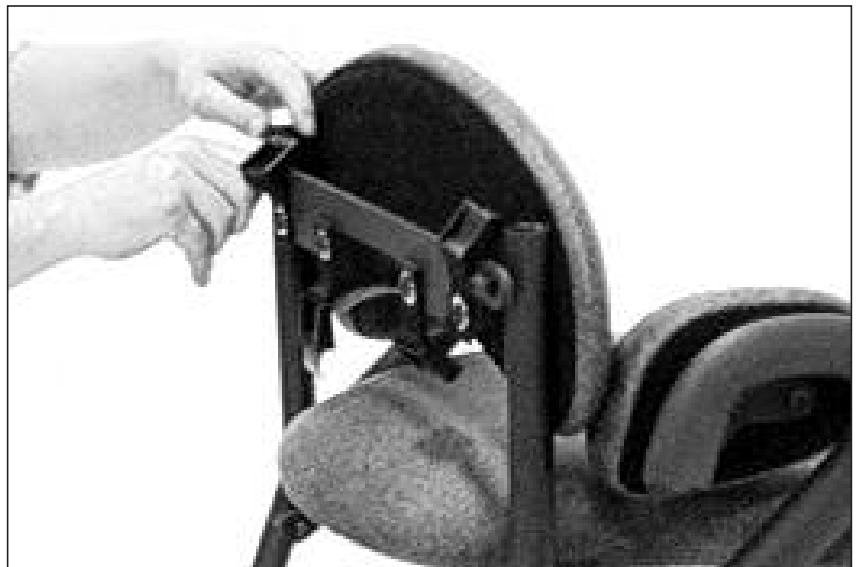


#29 If you ordered the high back extension with the optional chest vest, it comes assembled. Install it like you would the high back.



#30 If you ordered the chest vest with the low back, attach it to the back frame as shown.

Tighten Securely.



#31 If you ordered laterals with the low back, attach them the same way as the chest vest. You must either widen or remove the pad brackets for ease in installation.

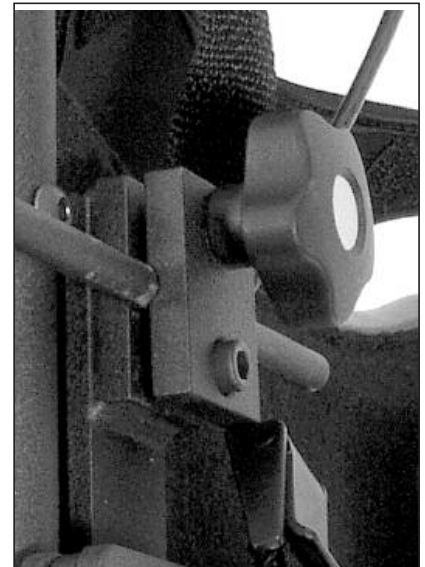
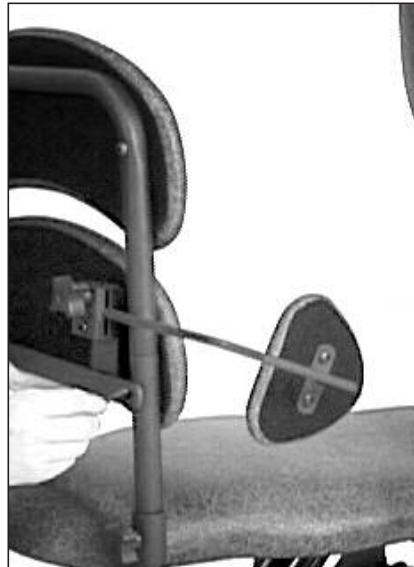
Note: The quick adjust knobs go to the top (see fig. #32).



#32 If you have the high back extension with laterals, install the high back onto the unit, then attach lower backpad and laterals as shown.

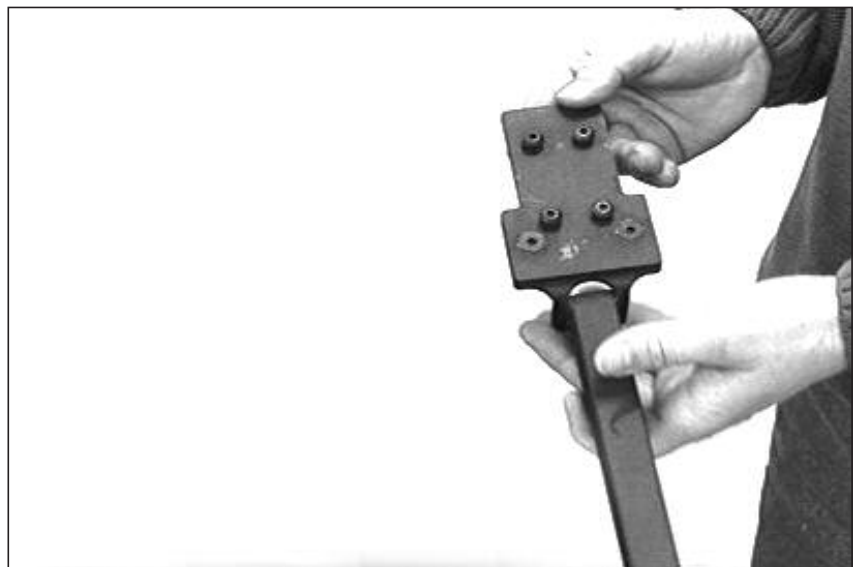
Tighten securely.

Caution: Lateral rod must extend through clamp as shown.

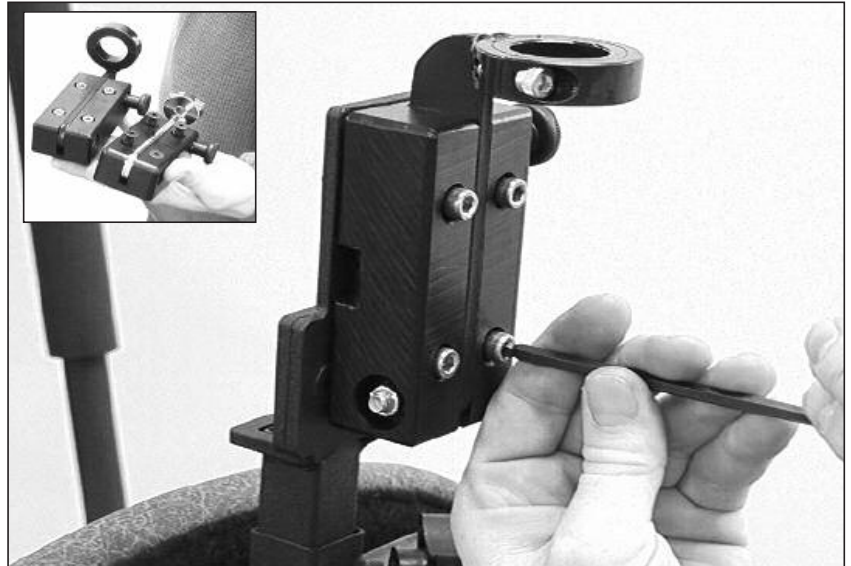


#33 The universal headrest receiver can be used with a variety of other manufactures' headrests.

Headrest receiver will snap down into maximum height position. Depress again to lower headrest. Tighten quick adjust knob.



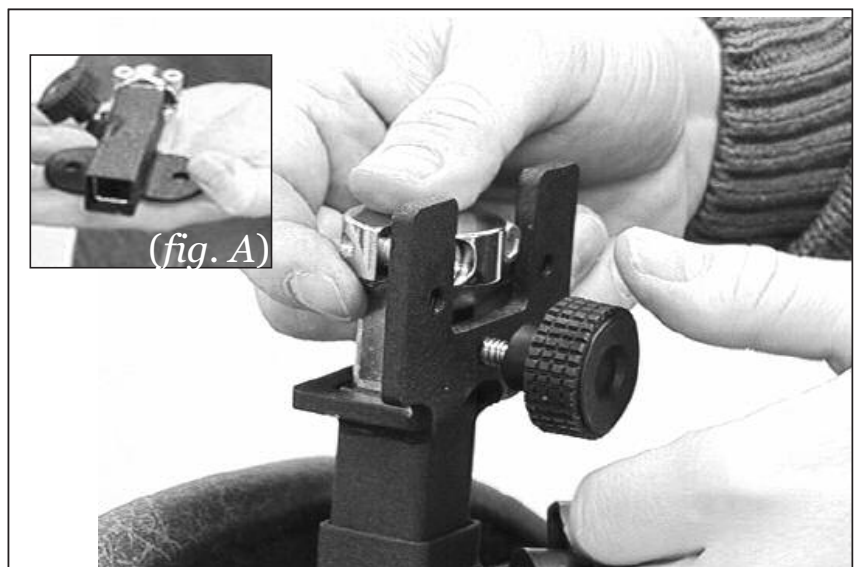
#34 If you are using it with the Whitmyer Pro receiver, Pro-MS, Pro-MD or the soft/plush series receiver #M1012, use the four bolts supplied by Whitmyer to attach your headrest.



#35 For use with the Stealth®, Otto Bock™ or Whitmyer #M0012 detachable mount, you must remove the auxiliary mounting plate.



#36 If you are using the Whitmyer detachable mount (*fig. A*), remove the chrome insert and knob, then insert it into the universal headrest receiver as shown and secure with knob.



Note: If you do not have a knob supplied by Whitmyer, use the included buttonhead bolt.

#37 If you are using the Otto Bock™ or Stealth® headrest, use the two of the provided buttonhead bolts to fasten their hardware as shown.



Here is the 5000 Youth shown with casters, ratchet handles, padded hip guides, table swing-away sleeve, clear desk table, independent kneepads, anti-tips and back option.



Using your EasyStand

Adjusting

SEAT DEPTH/BACK ANGLE

- To adjust the seat depth, first loosen the quick adjust knob on seat tube. Then depress the spring button on the square tube and position the seat to desired depth. After adjusting, tighten the quick adjust knob securely. You have seven seat depth options ranging from 14 to 18 inches. When adjusting the seat depth, it is important to have your knee as close to the seat pivot as possible for proper lift to the standing position.
- Position the back adjustment tube in the same color-coded setting as the seat depth adjustment. Various back angle adjustments are available.

FOOT HOLDERS

- **Consult with your therapist or doctor for proper foot placement and angle.**
- Foot holders should be raised/lowered so that the knee is as close to the seat pivot as possible.
- Never reposition the foot holders while you are in the standing position.
- The foot holders can be independently adjusted in swivel, height, and pivot.
- To adjust the swivel or pivot of the foot holders, loosen the quick adjust handles on each foot holder clamp. When you find the desired foot position, tighten the handles securely.
- To adjust the height loosen the same quick adjust handle of the foot holder clamp. Loosen the factory adjusted bolt on the outside of each clamp only if necessary. Now the clamps will slide up with 9" of adjustment. Tighten securely.

MOBILE OPTION

- **Do not use the mobile option on ramps or uneven surfaces or outdoors.**
- Before transferring into the EasyStand with the Mobile Option, make sure that the casters and the push rim locking mechanisms are in the locked position. Use these locks whenever you want to keep the EasyStand stationary.

KNEE PAD

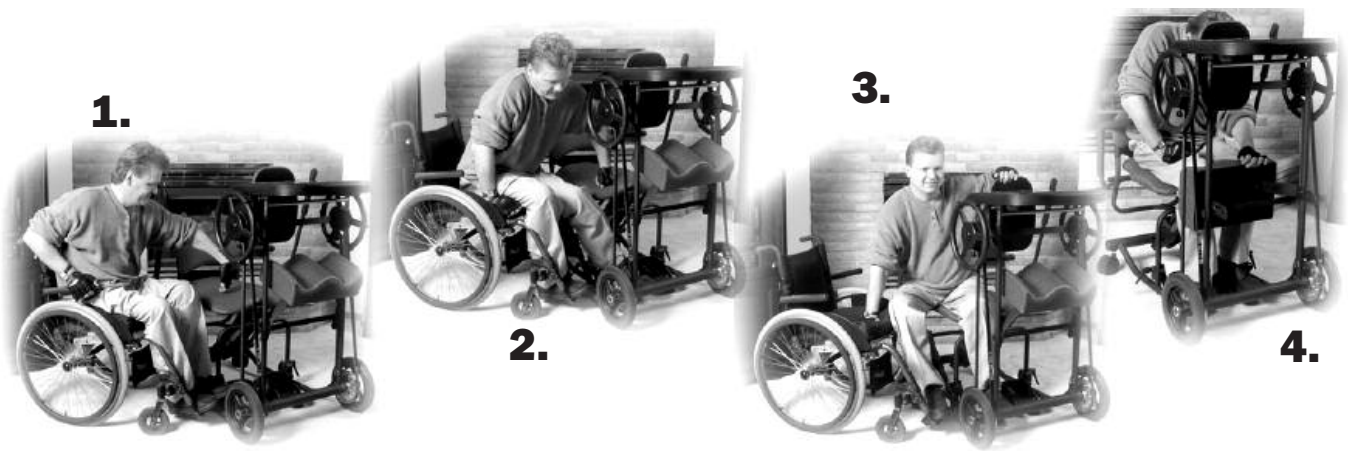
- The knee support should be snug when you are in the seated position. Adjust the foot holders so that the user's knees are as close to the seat pivot point as possible.
(If necessary, the knee pad can be inverted on the frame for further adjustment variations)

FRONT PAD

- When in the standing position, the front pad should support your upper body. Adjust the tray height and depth so you feel comfortable. The front pad can also be independently adjusted for proper height and it can be inverted as the adjustment holes are offset allowing further adjustment variations.

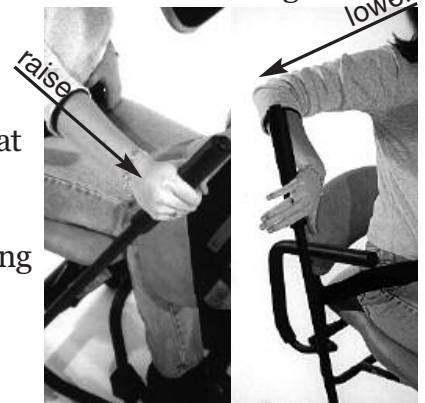
Transferring

- **For proper transfer techniques, please seek professional advice from your therapist or doctor before transferring.**
- Always lock the wheel locks on your wheelchair and all four casters on the EasyStand before transferring.
- If you do not need assistance in transferring, position your wheelchair next to the EasyStand and flip the side support back. Make sure that the knee support is flipped up to allow you to position your feet. Complete your transfer and position your feet in the footplates. Secure the foot straps and reposition the knee and side supports.
- If required, many patient lifts can be used for transfers. Remove the front table assembly of the EasyStand and transfer in from the front or use the removable back option and transfer from the rear.
- To transfer with a sliding board, position your chair parallel to the EasyStand and flip the side support and knee support back. Be sure that your wheel locks are locked. The front end of the EasyStand can be removed so an assistant can use proper body mechanics for a standing pivot or fully assisted sliding board transfer.
- When transferring out of the EasyStand, pump the seat up so that it is equal to or higher than the seat you are transferring back in to.



Standing

- **Please consult with your therapist or doctor before starting a standing program.**
- Once transferred into the EasyStand, position your feet and the knee support and secure any straps. Push the pump handle forward with 15-25 strokes. The seat will slowly rise into the standing position. Remember that you can stop the seat anywhere between the sitting and standing position.
- To return to the seated position, move and hold the pump handle toward the rear until you have reached your desired position. The seat will slowly lower until you release the handle.
- If you have difficulty getting the seat to lower, you may not be applying the proper pressure to the handle.
- If you have difficulty reaching the handle, you may consider purchasing the actuator handle extension.
- If you have difficulty getting the seat to lower, check to see that you have the seat tube and the back adjustment tube set at the same color-coded setting. Failure to do this may cause serious damage to your unit!
- If the unit is in the standing position and nobody is in it, apply moderate pressure to the seat of the unit while holding the pump handle back. Do not use excessive force.



Maintenance

GENERAL

- Clean the EasyStand 5000 with a mild non-abrasive disinfectant or soap and water.
- Check your EasyStand periodically to make sure that all nuts, bolts and adjustable parts are tightened securely.

THE HYDRAULIC ACTUATOR

- An initial break-in period of approximately 50-100 full cycles is normal for the hydraulic unit. You may experience a squealing noise or a less-than-smooth forward stroke. The very close fit of its mating parts give each pump its own break-in “feel” and signature noise.
- If the pump is leaking oil, call your local AMI Dealer for a replacement. The serial number will be needed.
- Do not exert excessive force on the pump handle or use the pump handle to move your EasyStand around. This may cause damage to the pump handle and/or the pump mechanism and will void any warranty.
- User maintenance is not required or recommended on the hydraulic pump. Never apply lubricant, household oil, grease, or a similar product to any part of the unit. Some compounds may react with the seals used in the manufacture of this product. This may damage the unit and will void any warranty.
- Do not exceed the rated weight capacity of the equipment for which this hydraulic unit is used on (the weight limit for the EasyStand 6000 is 280 lbs).
- If your EasyStand was shipped to you during or exposed to a temperature of less than 50 degrees Fahrenheit, you must allow the hydraulic unit to warm up to room temperature before any use. Failure to follow this step could damage the unit and render it inoperable.
- It is sometimes not necessary to push the pump handle all the way back to lower the seat. If you have difficulty getting the seat to lower, try pushing the handle back into different positions.
- If the unit is in the standing position and unoccupied, it is necessary to apply pressure to the seat of the unit while pushing the pump handle back.

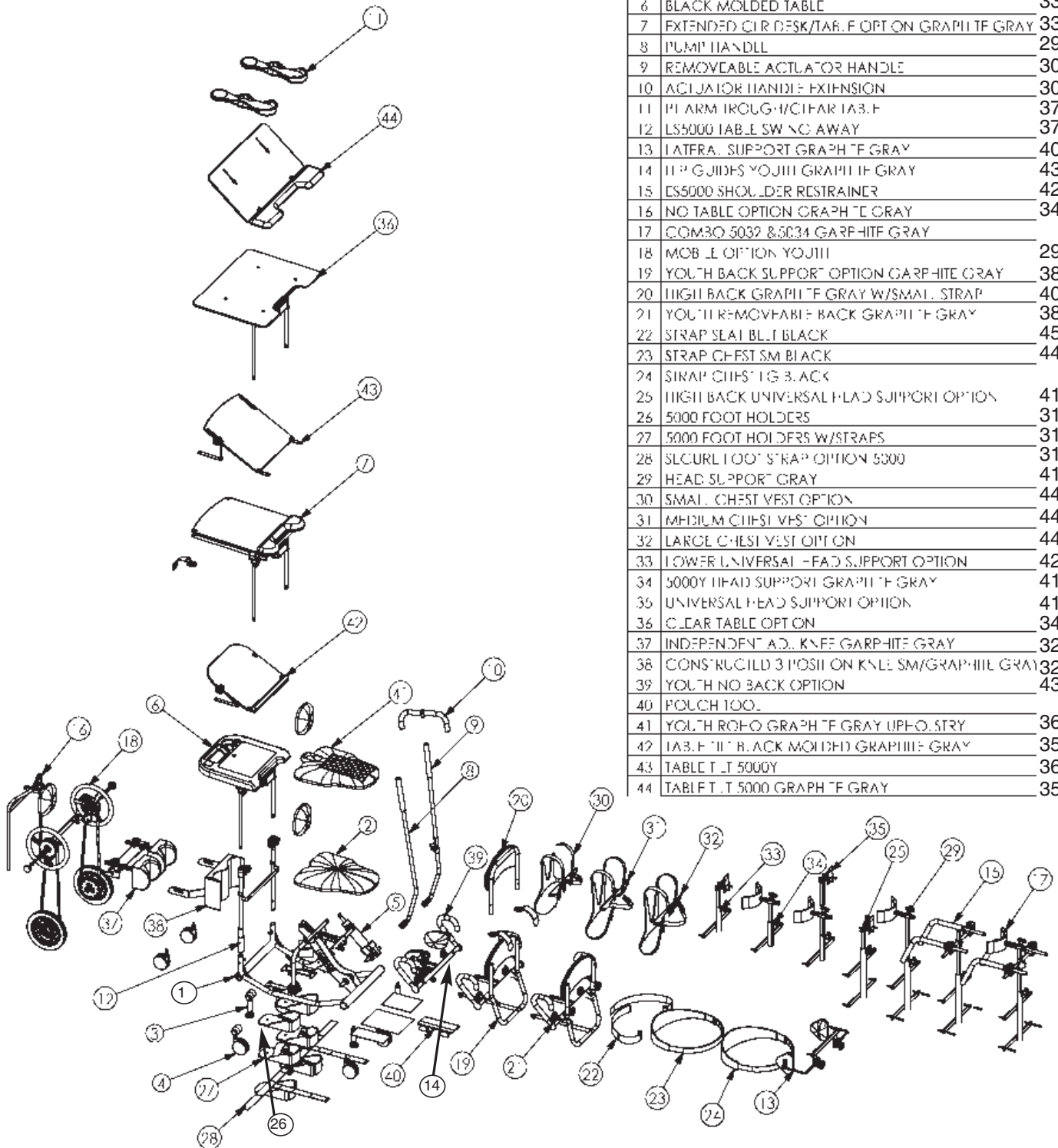
PURGING THE HYDRAULIC ACTUATOR

The hydraulic pump on your EasyStand has a high probability of getting air trapped in the internal workings of the unit. This is usually caused by in-transit handling and is quite normal. Please follow the simple steps below, as manual hydraulic systems may never operate properly unless the entrapped air is correctly purged. The unit must be at room temperature for this procedure.

1. Slowly pump the handle until the full extension is reached.
2. Now continue pumping the handle slowly for an additional 10 strokes.
This will properly purge the system.

EasyStand Parts Detail

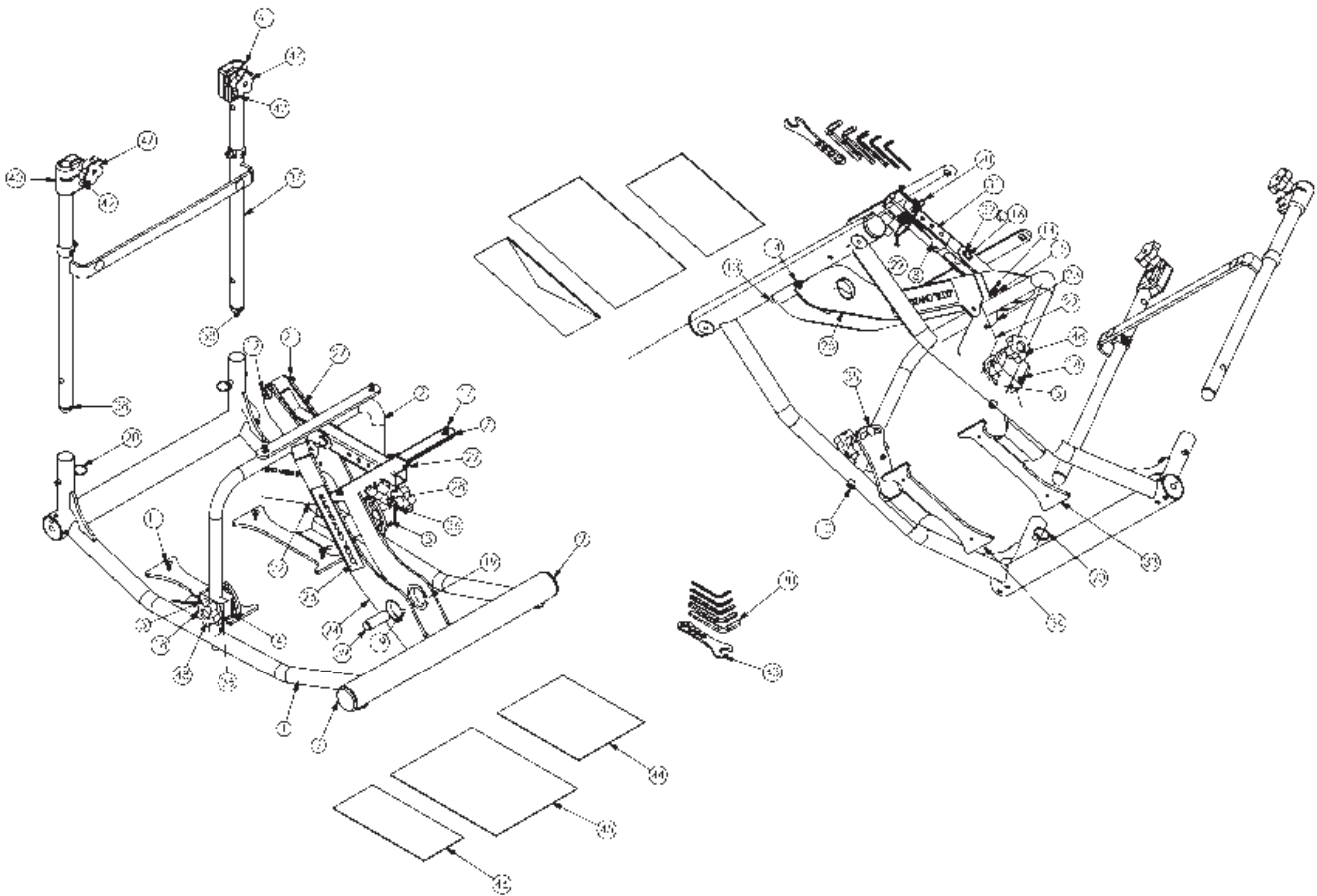
5000 YOUTH OPTION OVERVIEW



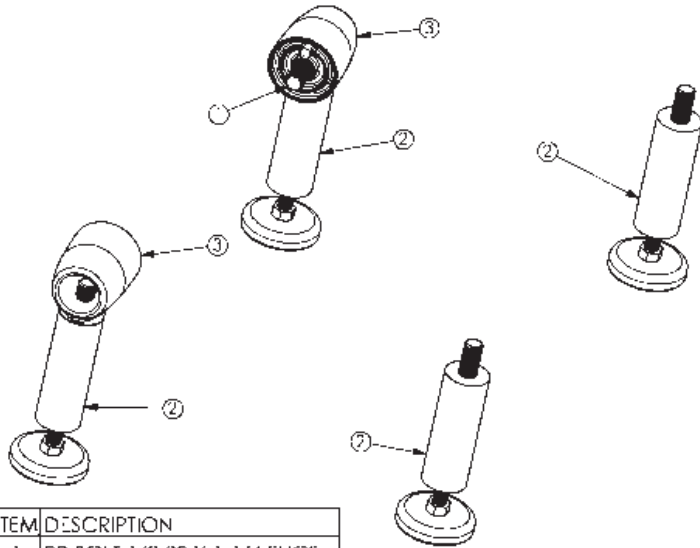
ITEM	DESCRIPTION	page#
1	CONSTRUCTED 5000Y	27
2	YOUTH UPHOLSTERY GRAPHIC GRAY	
3	4 LEVEL GUIDES W/ADPTRS	28
4	CASTER ASSEMBLY	28
5	HYD CYL POWER PACKER MODEL	
6	BLACK MOLDED TABLE	33
7	EXTENDED CLR DESK/TABLE OPTION GRAPHIC GRAY	33
8	PUMP HANDLE	29
9	REMOVABLE ACTUATOR HANDLE	30
10	ACTUATOR HANDLE EXTENSION	30
11	1" ARM IRON/1/2" CHAIR TAB.F	37
12	LS5000 TABLE SWING AWAY	37
13	LATERAL SUPPORT GRAPHIC GRAY	40
14	11" GUIDES YOUTH GRAPHIC GRAY	43
15	ES5000 SHOULDER RESTRAINER	42
16	NO TABLE OPTION GRAPHIC GRAY	34
17	COMBO 5032 & 5034 GRAPHITE GRAY	
18	MOBILE OPTION YOUTH	29
19	YOUTH BACK SUPPORT OPTION GRAPHITE GRAY	38
20	HIGH BACK GRAPHIC GRAY W/SMALL STRAP	40
21	YOUTH REMOVABLE BACK GRAPHIC GRAY	38
22	STRAP SLAT BLK/BLACK	45
23	STRAP CHEST SM BLACK	44
24	STRAP CHEST LG B. ACK	
25	HIGH BACK UNIVERSAL HEAD SUPPORT OPTION	41
26	5000 FOOT HOLDERS	31
27	5000 FOOT HOLDERS W/STRAPS	31
28	SECURE FOOT STRAP OPTION 5000	31
29	HEAD SUPPORT GRAY	41
30	SMALL CHEST VEST OPTION	44
31	MEDIUM CHEST VEST OPTION	44
32	LARGE CHEST VEST OPTION	44
33	LOWER UNIVERSAL HEAD SUPPORT OPTION	42
34	5000Y HEAD SUPPORT GRAPHIC GRAY	41
35	UNIVERSAL HEAD SUPPORT OPTION	41
36	CLEAR TABLE OPTION	34
37	INDEPENDENT ADJ. KNEE GRAPHITE GRAY	32
38	CONSTRUCTED 3 POSITION KNEE SM/GRAPHIC GRAY	32
39	YOUTH NO BACK OPTION	43
40	FOUCH TOOL	
41	YOUTH ROHO GRAPHIC GRAY UPHOLSTERY	36
42	1A3.F "11" BACK MOLDED GRAPHITE GRAY	35
43	TABLE T.T 5000Y	36
44	TABLE T.T 5000 GRAPHIC GRAY	35

5000 YOUTH BASIC FRAME

ITEM	DESCRIPTION	ITEM	DESCRIPTION
1	WELDMENT BASE BLK POWDR COATED	24	Pt .243H 4.75W 23.835L
2	WELDMENT SEAT FOOT	25	Pt .598H 4.75W 23.835L
3	Pt .750H 2.00W 2.50L	26	EASYSTAND 5000 TUBFI
4	Pt .750H 2.00W 2.50L	27	Pt SEAT FOOT GAURD
5	Pt .750H 2.00W 2.50L	28	Knob 5/16" x 1/4" x 5/8" ZC 5 P
6	Pt .750H 2.00W 2.50L	29	LANYARD STRAP
7	WELDMENT SEAT YOUTH	30	UNIVERSAL LOCKER
8	SPRINT NO. LABEL	31	LABEL BACK TUBE
9	CAP 20 10 14GA BK	32	E RING FR 43
10	BOLT 3/8" x 6" x 2 SHCS	33	Pt 4.75H 4.718W 11.50L
11	BOLT 1/4-20 x 1/2 SHCS	34	Pt 4.75H 4.718W 11.50L
12	BOLT 1/2 x 2 SHOULDER BOLT	35	3/8-16UNC x 2.50L CARRIAGE BOLT
13	BOLT 5/16" x 1/8" x 3 1/4 SHCS	36	WASHER 5/16 USS WASHER ZC
14	NUT 5/16 18 JAM NYL INS 1/4"	37	WELDMENT LOWER TABLE FRAME
15	BOLT 5/16" x 1/8" x 2 1/2 SHCS	38	CAP 10 14 23 GA BK BALL CAP
16	CLEV S PIN 4/2" D X 1.40" L	39	CAP .625ID 2.00L BLK
17	BOLT 5/16" x 1/8" x 3/4 BFN SHCS	40	1.375H 2.125W 2.50L
18	BOLT 5/16" x 1/8" x 3/4 SHCS	41	1.375H 2.125W 2.50L
19	NYLON R #2717A	42	BOLT 3/8-16 x 1-1/4 SHCS
20	3" DIA .500I	43	TOOL MULTI-WRENCH
21	NUT 3/8 16 NYL INS HIGH NUT	44	MANUAL 5000 YOUTH
22	LABEL END USER INFO	45	WARRANTY REGISTRATION CARD
23	SNAP 1 1/2" LC	46	WARRANTY ENVELOPE
24	Pt .243H 4.75W 23.835L	47	Knob 5/16" x 1/4" x 5/8" ZC 5 P
		48	Knob 3/8" x 1/4" x 5/8" ZC 5 P

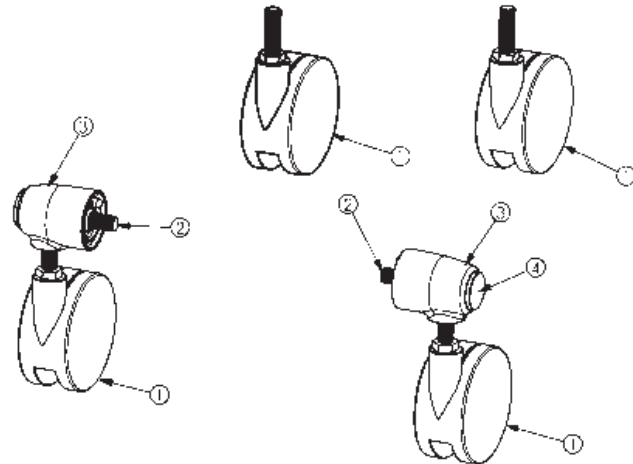


LEVEL GLIDES #10126



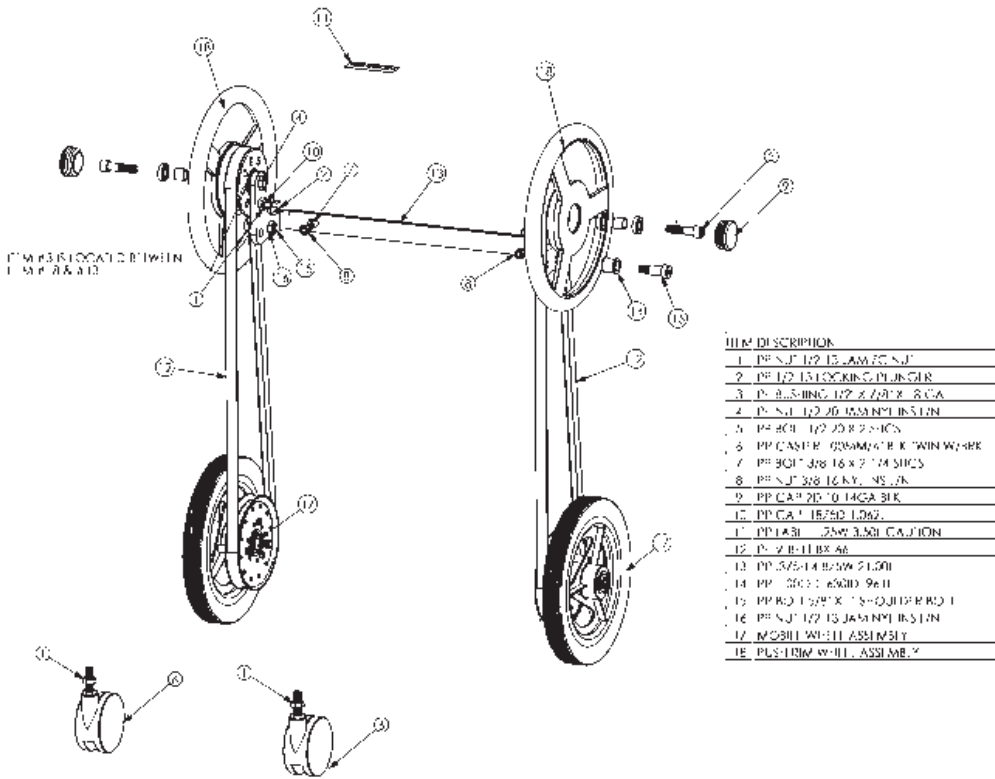
ITEM	DESCRIPTION
1	PP BOLT 1/2-20 X 1-1/4 SHCS
2	LEVEL GLIDE ASSEMBLY
3	PIP 2.0D 2.5L

LOCKING CASTERS #5062



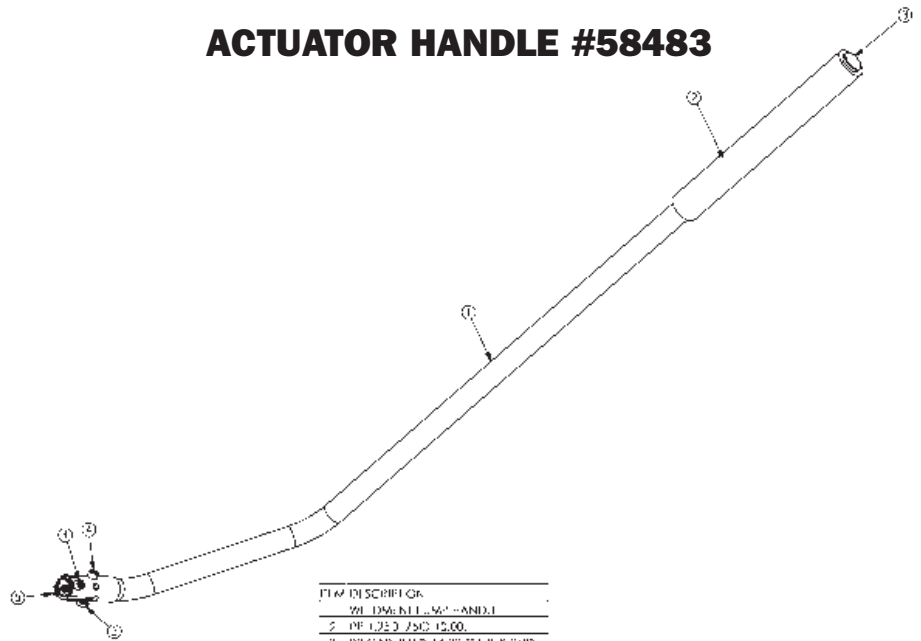
ITEM	DESCRIPTION
1	CASTER 100MM/4" BLK TW N W/BRK
2	BOLT 1/2-20 X 1-1/4 SHCS
3	PI 2.0D 2.5L
4	CAP 1.25D 14-23 GA BLK RND

MOBILE OPTION #5200Y



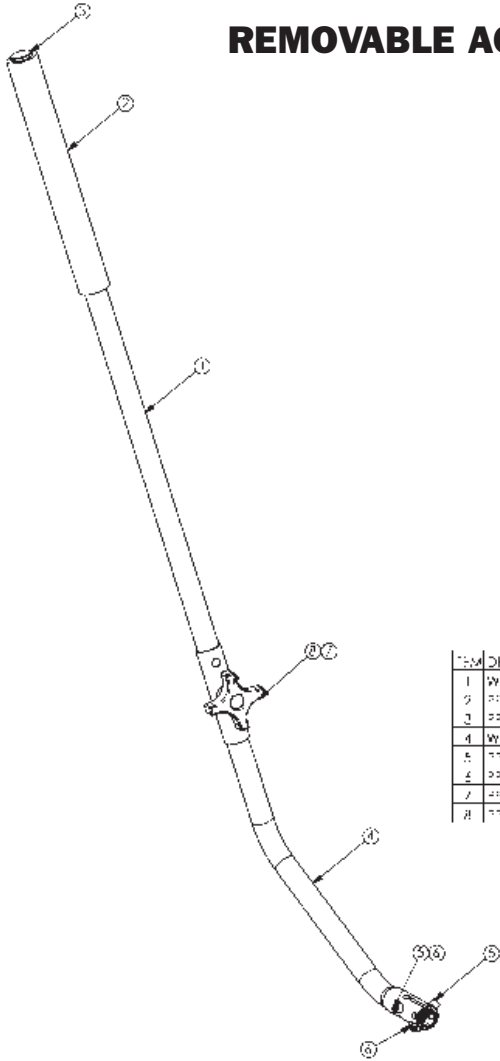
ITEM	DESCRIPTION
1	PP NJ 1/2 IS JAMING NJ
2	PP 1/2 IS LOCKING PLUNGER
3	PP BUSHING 1/2 X 7/8 X 3/4 CA
4	PP NJ 1/2 IS JAMING INS LN
5	PP BUSH 1/2 X 7/8 X 3/4 CS
6	PP CAST IRON WHEEL FOR TWIN WHEEL
7	PP BUSH 3/8 X 1/2 X 7/8 SMLS
8	PP NJ 3/8 IS KEY NS JK
9	PP CAP 25/16 GA BIK
10	PP CAP 15/16 GA BIK
11	PP TAB 25/16 GA BIK
12	PP BUSH 3/8
13	PP 3/8 X 1/2 BUSH 21.00
14	PP BUSH 1/2 X 3/4 BIK
15	PP BUSH 1/2 X 3/4 BIK
16	PP NJ 1/2 IS JAMING INS LN
17	MOBILE WHEEL ASSEMBLY
18	PLUNGER WHEEL ASSEMBLY

ACTUATOR HANDLE #58483



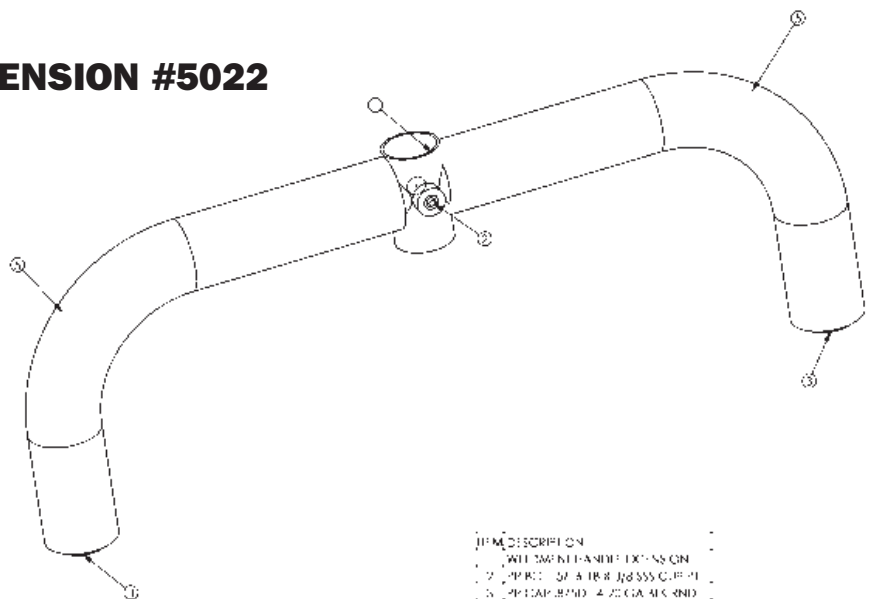
ITEM	DESCRIPTION
1	PP 1/2 IS JAMING INS LN
2	PP 1/2 IS JAMING INS LN
3	PP CAP 25/16 GA BIK
4	PP BUSH 1/2 X 3/4 SMLS
5	PP BUSH 1/2 X 3/4 SMLS

REMOVABLE ACTUATOR HANDLE #5020



ITEM	DESCRIPTION
1	WL JMBNL UPPER HANDLE
2	PP CAP 5/32" I.D. 1.000"
3	PP CAP 5/32" I.D. 2.000" BIK RND
4	WL JMBNL LOWER HANDLE
5	TT BOLT 1/4" DIA X 1" L SCS
6	PP NUT 1/4" DIA X 1" L SCS
7	PP 250 7300 0.00
8	TT KNOB 3/8" DIA X 3/4" L 4 PT

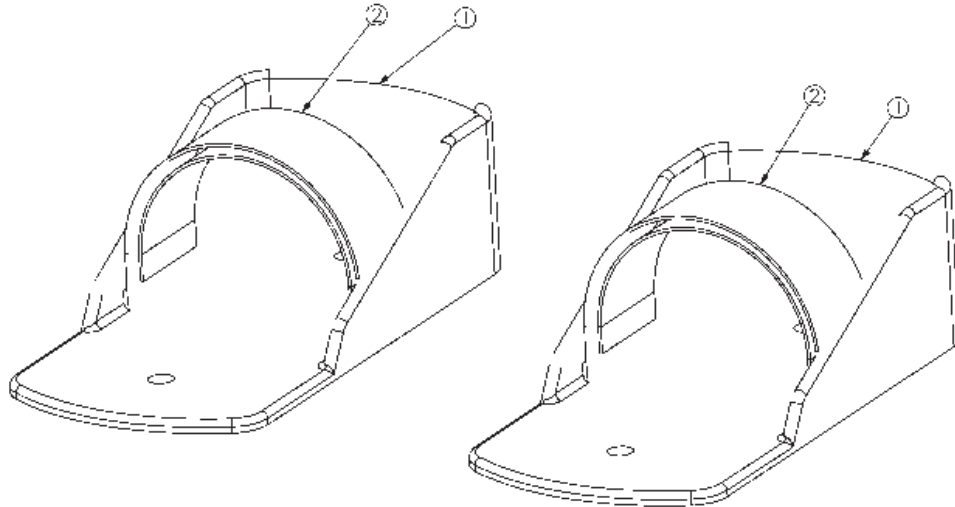
ACTUATOR HANDLE EXTENSION #5022



ITEM	DESCRIPTION
1	WL JMBNL HANDLE EXTENSION
2	TT BOLT 1/4" DIA X 1" L SCS
3	PP CAP 5/32" I.D. 2.000" BIK RND
4	PP 250 7300 0.00

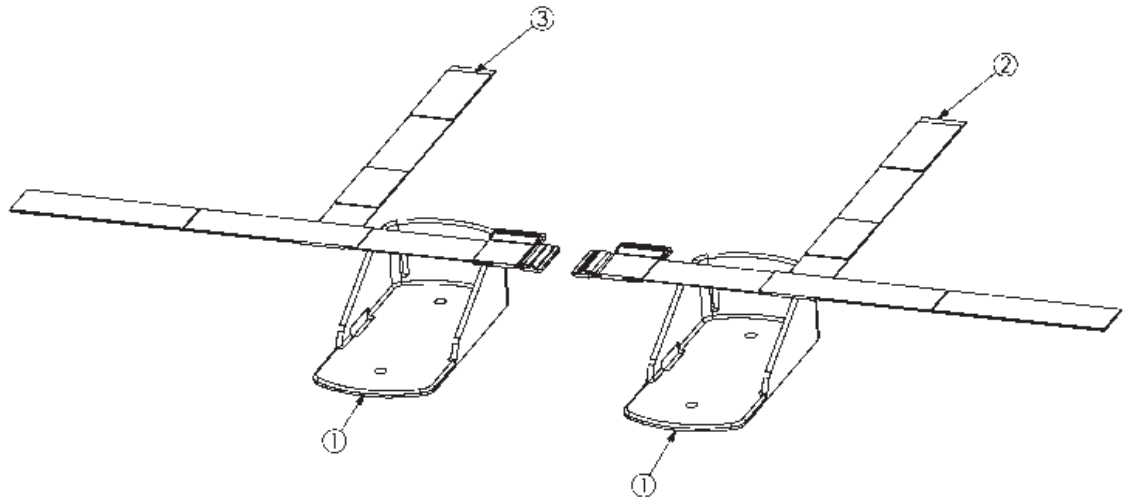
FOOT HOLDERS #80635

FOOT STRAPS #80634



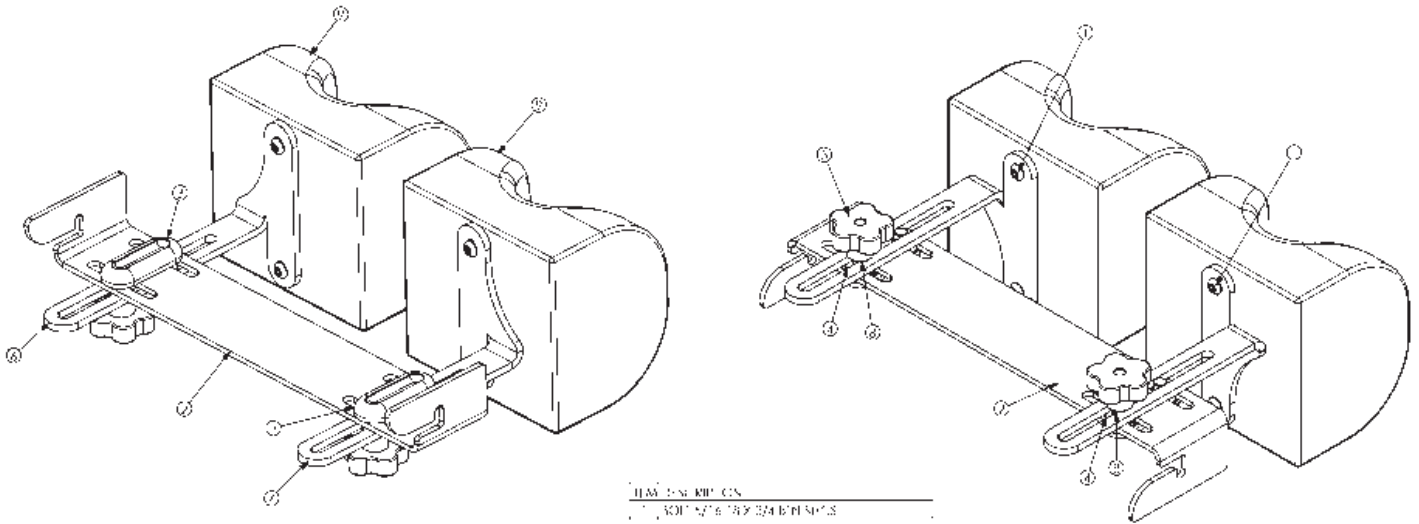
ITEM	DESCRIPTION
1	PP PLAST C FOOT HOLDER
2	PP STRAP 2.00W 24.00L

SECURE FOOT OPTION #80616



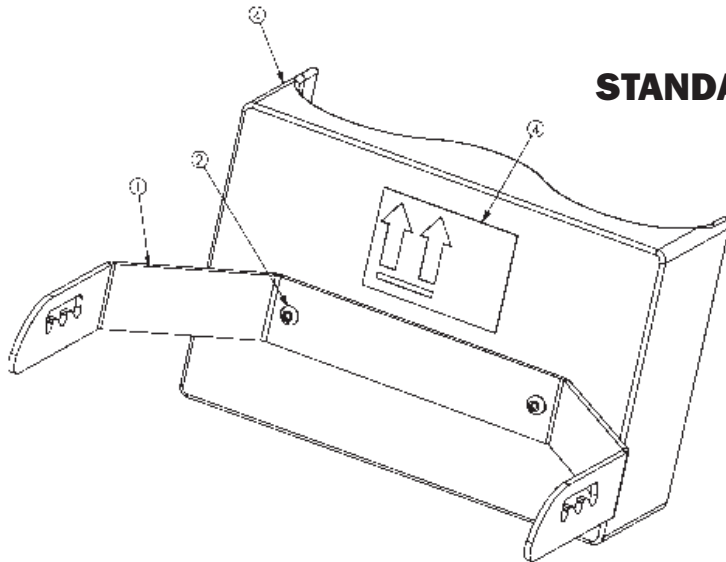
ITEM	DESCRIPTION
1	PP PLASTIC SECURE FOOT HOLDER
2	PP HEAL & ANKLE STRAP LH 5000
3	PP HEAL & ANKLE STRAP RH 5000

INDEPENDENT KNEE PADS #5026



ITEM DESCRIPTION	
1	ROLLER 6.18 X 3/4 X 1.5 INCS
2	ROLLER HOUSING 4.50
3	ROLLER HOUSING CAP
4	ROLLER HOUSING CAP GASKET
5	ROLLER HOUSING CAP NUT
6	ROLLER HOUSING CAP BOLT
7	ROLLER HOUSING CAP WASHER
8	ROLLER HOUSING CAP GASKET

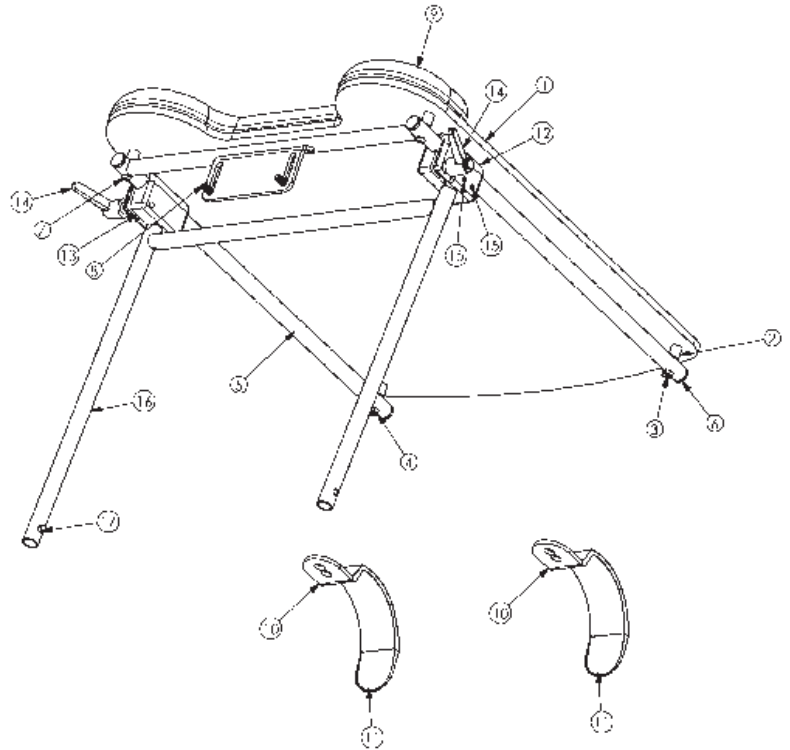
STANDARD KNEE PAD #10128



ITEM DESCRIPTION	
1	ROLLER 6.18 X 3/4 X 1.5 INCS
2	ROLLER HOUSING 4.50
3	ROLLER HOUSING CAP
4	ROLLER HOUSING CAP GASKET

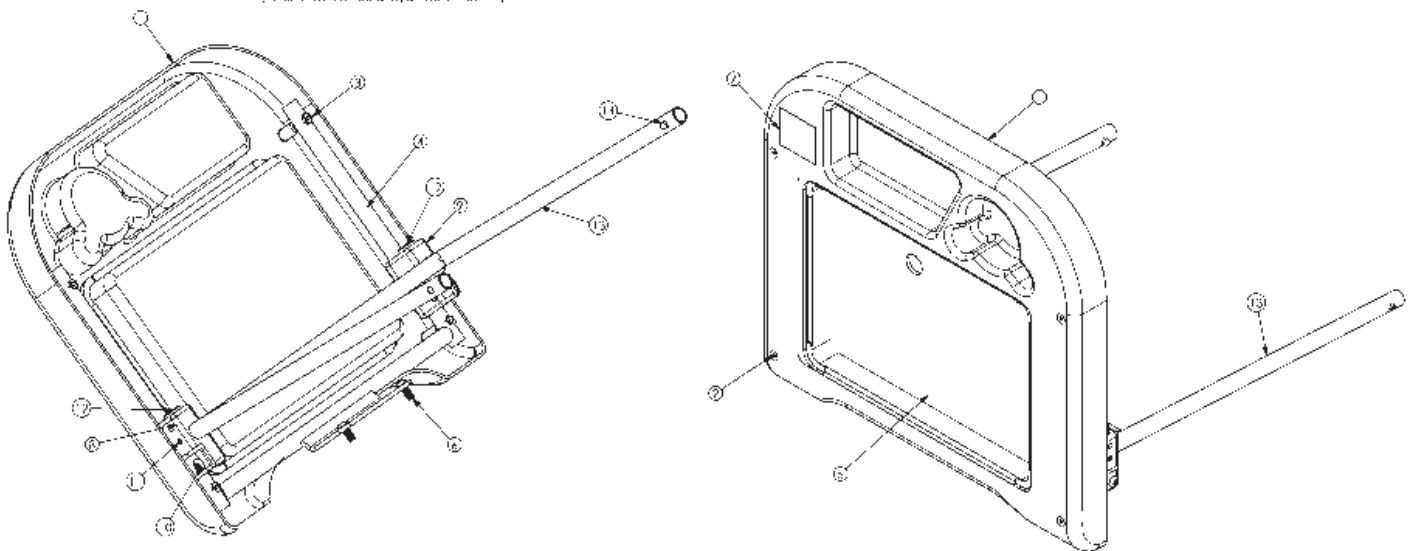
CLEAR DESK TABLE #5041

ITEM	DESCRIPTION
1	PP 3/8" 20.0W 25.0L
2	PP SPACER 50.0 25.0H 6.25I
3	PP BOLT 1/4" 3 UNC 2 SLUG BLK ZC
4	PP NUT 1/4 20 NYL N 5 L/N H OH
5	WE DIMENT HORIZONTAL FRAME
6	PP CAP 3/8 14 20 DIA BLK END
7	PP ROD 1/4-20 X 9 FIN S-C3
8	PP BOLT 3/16 8 X 3/4 S N SHCS
9	PP YOUTH TABLE PAD GRAP-HIF GRAY
10	PP 4.3/2- 2.00W 4.3/2L
11	PP CAP 3/16 12.125W 2.062H
12	PP 1.3/2- 2.125W 3.06L
13	PP 1.3/2- 2.125W 3.06I
14	PP KNOB 5/16" 18 x .06 QUICK ADJ.
15	PP BOLT 5/16 8 X 3/8 SSS CUP PT
16	WLL DMLN VLR CAL FRAME
17	PP SPRING BC-15C D W/DOME LEAD
18	PP 3/4" DIA X 3/4" LC PLUG

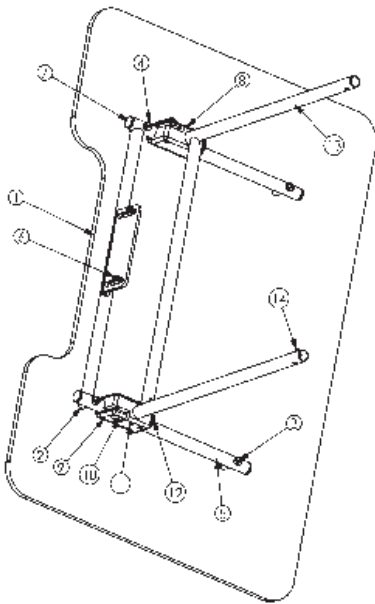


BLACK MOLDED TABLE #10600

ITEM	DESCRIPTION
1	PP BLACK MOLDED TABLE
2	PP BOLT 1/4 20 X 2 1/2 SCS
3	PP NUT 1/4 20 DIA NYL N 5 S S
4	WE DIMENT HORIZONTAL FRAME
5	PP 1.3/2 2.125W 14.325
6	PP BOLT 3/8 18 X 3/4 FIN SCS
7	PP AB 2.25W 7.0I 1.65STAND
8	PP 3.25H 2.125W 3.00I
9	PP 3.25H 2.125W 3.00I
10	PP BOLT 3/8 18 X 1 1/4 FIN SCS
11	PP BOLT 3/8 18 X 3/8 SSS CUP PT
12	PP CAP 3/8 14 20 DIA BLK END
13	WLL DMLN VLR CAL FRAME
14	PP SPRING BC-15C D W/DOME LEAD

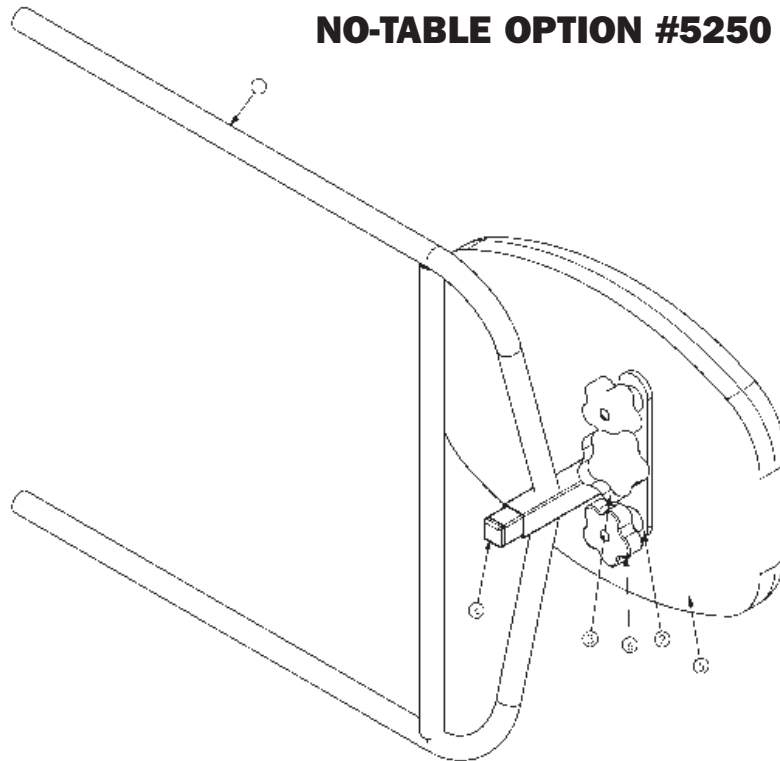


OVERSIZED TABLE OPTION #5040



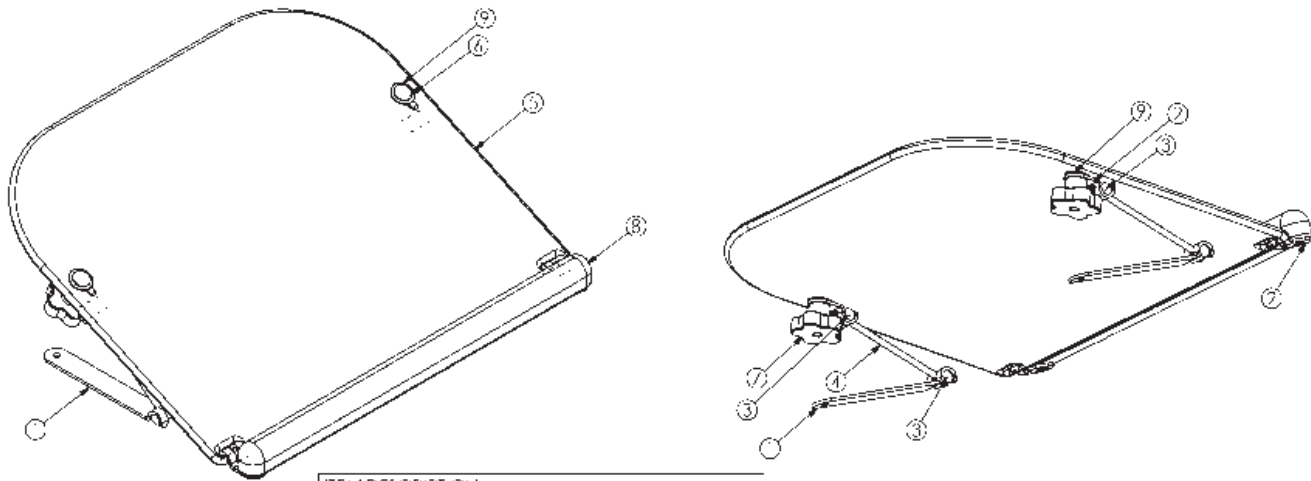
ITEM	DESCRIPTION
1	PP 3/8" X 1.25" X 2.00"
2	PP SPACER 5/8" X 2.60" D. 1.65"
3	PP 3/8" X 1.14" X 1.50" 2 SP. 0.518" 1.00"
4	PP NUT 1/4" X 1/2" X 1/2" S.S. 1.18"
5	W/IDMINI - 1.0" X 1.0" X 1.0" - 1.00"
6	PP 3/8" X 1.57" X 6.18" X 3/4" B.S. 5-10S
7	PP CAP 1/2" X 1.14" X 1.25" CA 3.1K RND
8	PP 1.25" X 2.125" X 3.00"
9	PP 1.25" X 2.125" X 3.00"
10	PP 3/8" X 1.57" X 6.18" X 3/4" B.S. 5-10S
11	PP 3/8" X 1.57" X 6.18" X 3/4" B.S. 5-10S
12	PP CAP 1/2" X 1.14" X 1.25" CA 3.1K RND
13	W/IDMINI VERIFICA - 1.00"
14	PP SPRING NO. 130 5 W/IDMINI HEAD

NO-TABLE OPTION #5250



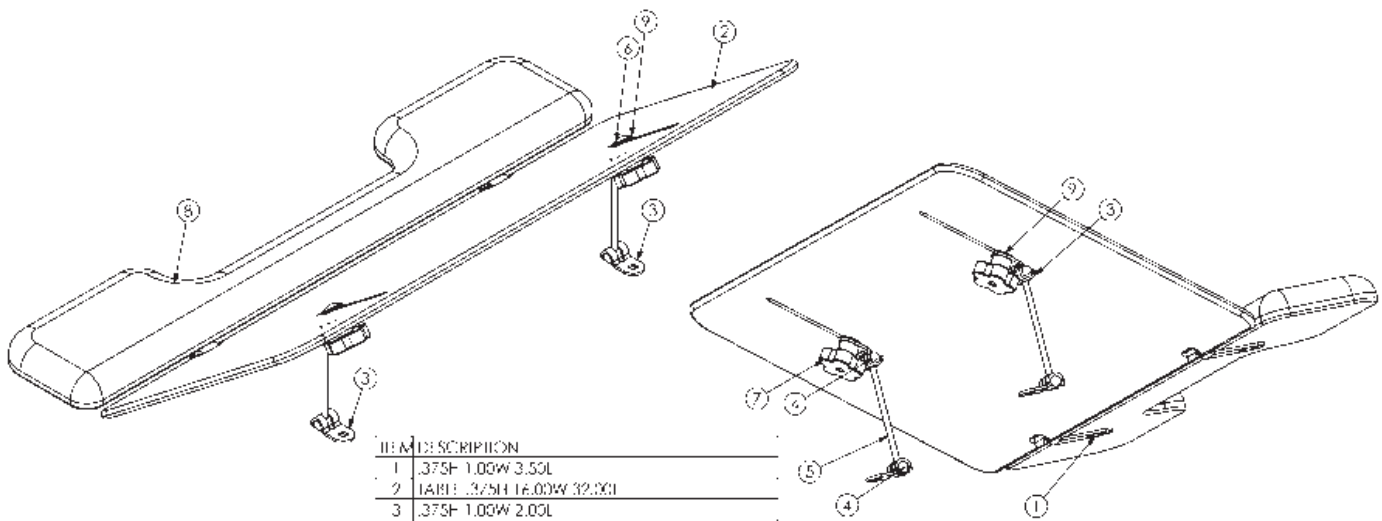
ITEM	DESCRIPTION
1	W/IDMINI - 1.0" X 1.0" X 1.0" - 1.00"
2	W/IDMINI - 1.0" X 1.0" X 1.0" - 1.00"
3	KNOB 3/4" X 1.125" X 1.125" - 1.125"
4	W/IDMINI - 1.0" X 1.0" X 1.0" - 1.00"
5	W/IDMINI - 1.0" X 1.0" X 1.0" - 1.00"
6	KNOB 3/4" X 1.125" X 1.125" - 1.125"

TILT TABLE FOR MOLDED TABLE #81011



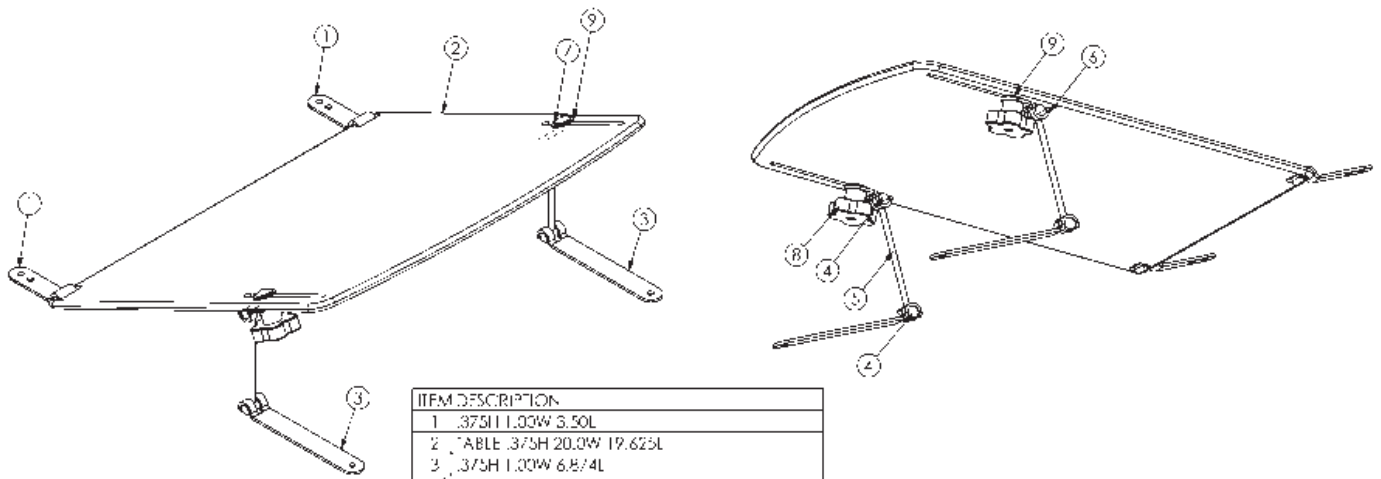
ITEM	DESCRIPTION
1	.375H 1.00W 6.874L
2	.375H 1.00W 2.00L
3	.500D .875L
4	THREADED ROD 1/4-20 X 5 1/4 BOTH ENDS
5	TABLE .375H 20.00W 16.00L
6	5/16-18UNC X 1.00L CARRIAGE BOLT
7	KNOB 5/16-18 W/FEMALE THRD INSERT 5 PT BLK
8	PAD BLACK MOLDED TABLE GRAPHITE GRAY
9	WASHER 1/2 D X 1.00 OD NYL

TILT TABLE FOR OVERSIZED TABLE #80997



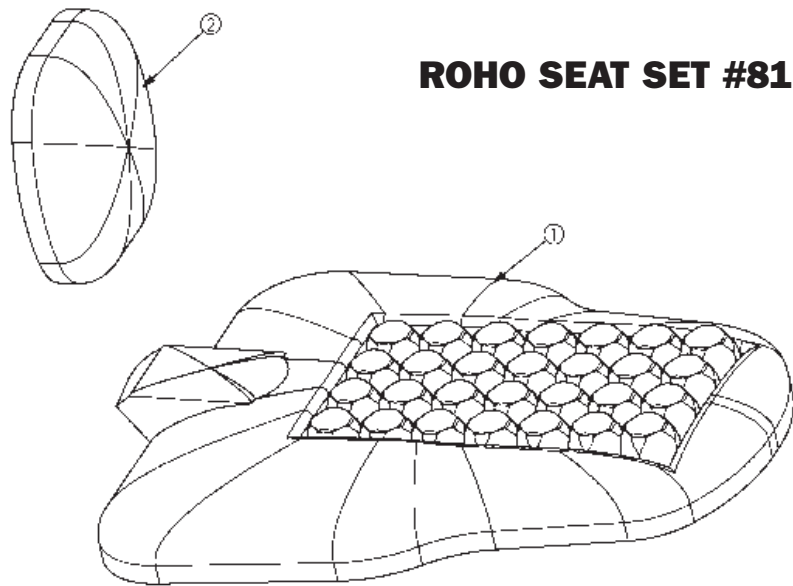
ITEM	DESCRIPTION
1	.375H 1.00W 3.50L
2	TABLE .375H 16.00W 32.00L
3	.375H 1.00W 2.00L
4	.500D .875L
5	THREADED ROD 1/4 20 X 5 1/4 BOTH ENDS
6	5/16-18UNC X 1.00L CARRIAGE BOLT
7	KNOB 5/16-18 W/FEMALE THRD INSERT 5 PT BLK
8	TABLE PAD GRAPHITE GRAY
9	WASHER 1/2 D X 1.00 OD NYL

TILT TABLE FOR CLEAR TABLE #80996



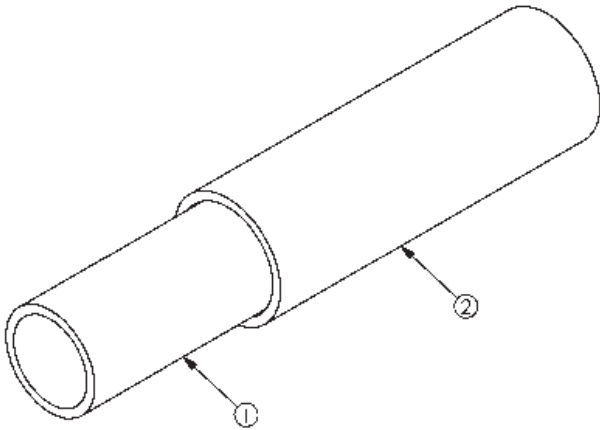
ITEM	DESCRIPTION
1	.375H 1.00W 3.50L
2	TABLE .375H 20.0W 19.625L
3	.375H 1.00W 6.874L
4	.500D .875L
5	HEIGHT ADJ. ROD 1.74-20 X 5 1/4 40°H 1 IN 35
6	.375H 1.00W 2.00L
7	5/16-18UNC X 1.00I CARTRIDGE BOLT
8	KNOB 5/16-18 W/FEMALE T-IRID INSERT 3 PT BLK
9	WASHER 1/2 ID X 1.00 OD NYL

ROHO SEAT SET #81020



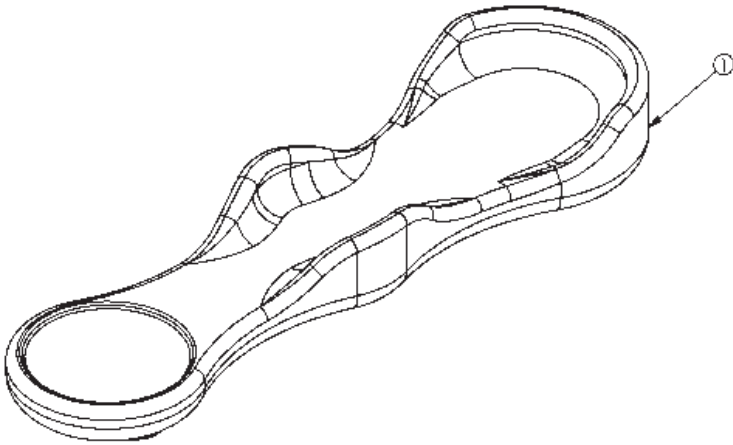
ITEM	DESCRIPTION
1	PAD ROHO SEAT CIRCULAR ASSEMBLY
2	PAD CHST GRAPHITE GRAY

TABLE SWING-AWAY-SLEEVE #5024

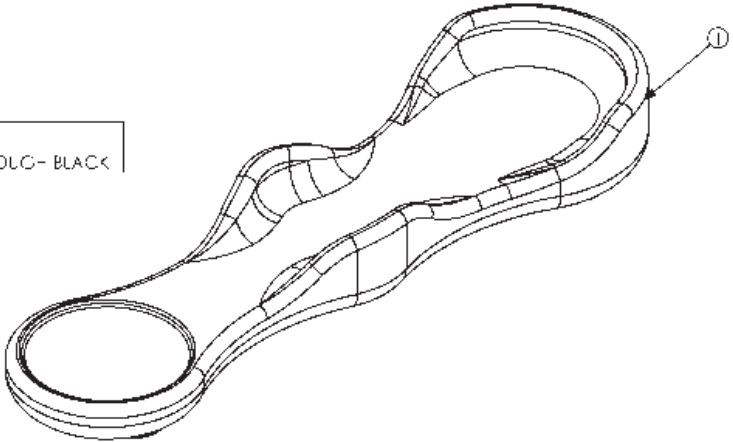


ITEM	NAME
1	INNER SWING AWAY TUBE
2	OUTER SWING AWAY TUBE

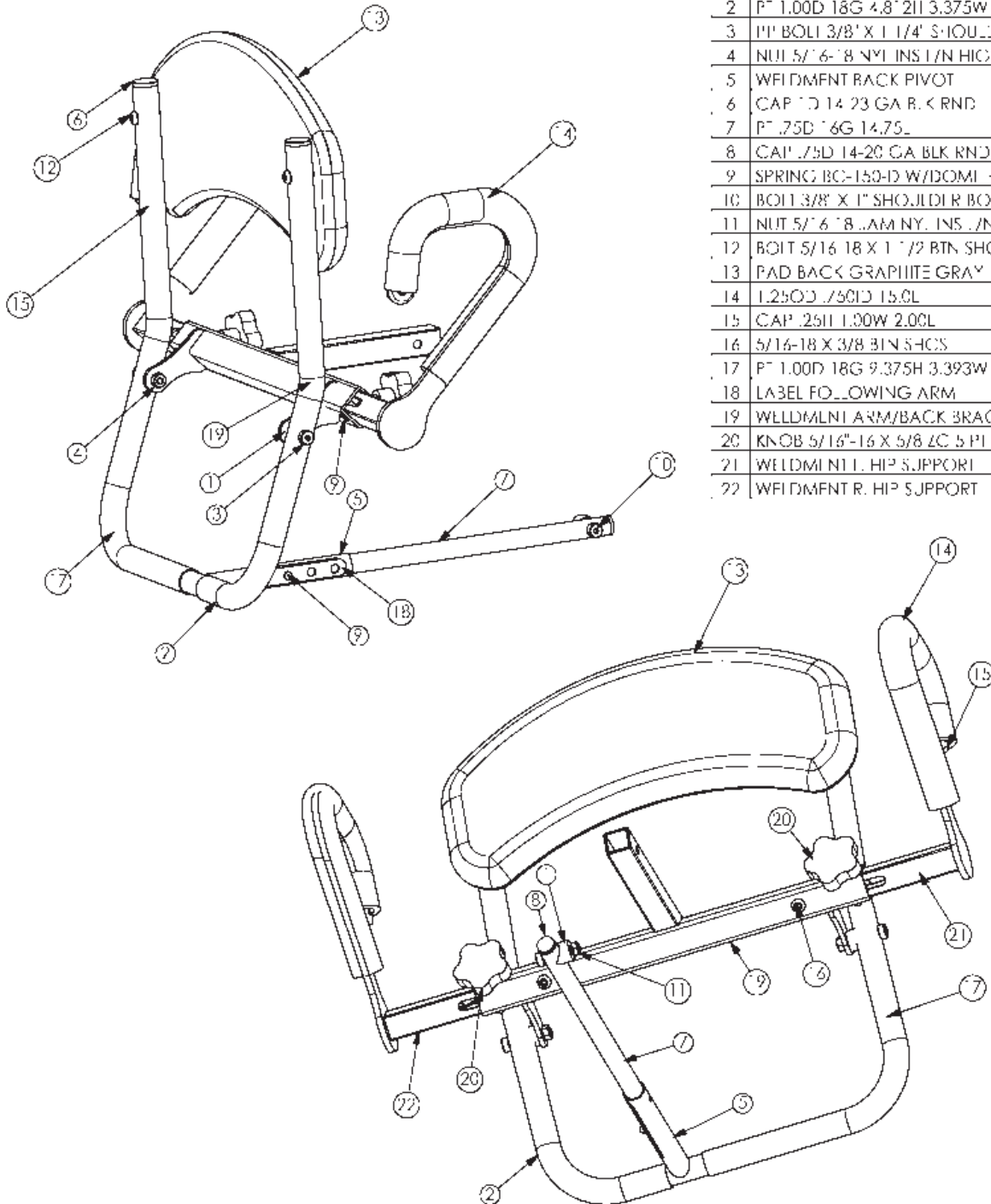
ARM TROUGHS #5030



ITEM	DESCRIPTION
1	PAD ARM TROUGH - BLACK

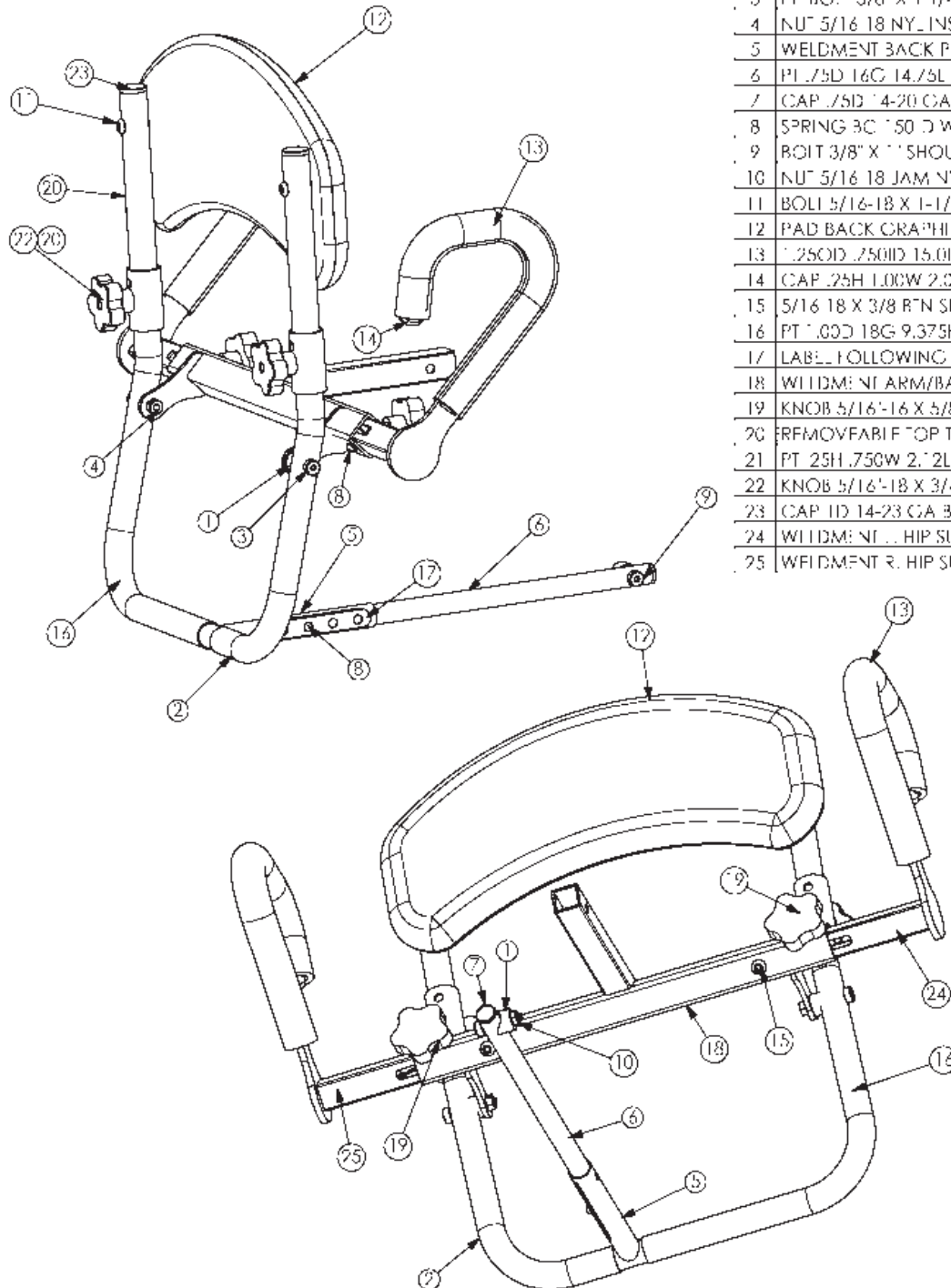


BACK OPTION #5100Y



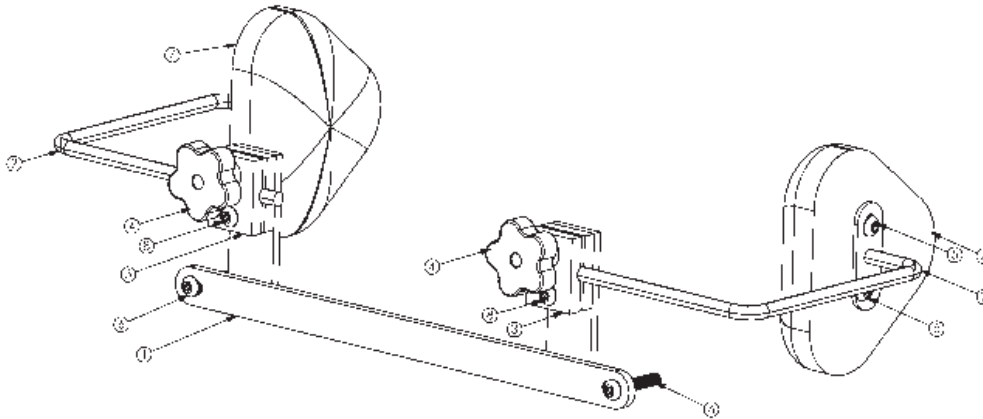
ITEM	DESCRIPTION
1	WASHER .875 OD .375 ID COVER
2	P" 1.00D 18G 4.8" 211 3.375W 18.765L
3	1" BOLT 3/8" X 1 1/4" SHOULDER
4	NUT 5/16" 8 NYI INS 1/4" HICH
5	WELDMENT BACK PIVOT
6	CAP 1.25OD 14.23 GA R. < RND
7	P" .75D 16G 14.75L
8	CAP 1.25OD 14-20 GA BLK RND
9	SPRING BC-150-ID W/IDOMI HEAD
10	BOLT 3/8" X 1" SHOULDER BO.
11	NUT 5/16" 8 NYI INS 1/4"
12	BOIT 5/16 18 X 1 1/2 BTN SHCS
13	PAD BACK GRAPHITE GRAY
14	1.25OD .75OD 15.0L
15	CAP .2511 1.00W 2.00L
16	5/16-18 X 3/8 31N SHCS
17	P" 1.00D 18G 9.375H 3.393W 18.765L
18	LABEL FOLLOWING ARM
19	WELDMNT ARM/BACK BRACKLE
20	KNOB 5/16"-16 X 5/8 LC 5 PI
21	WELDMNT L. HIP SUPPORT
22	WELDMENT R. HIP SUPPORT

REMOVABLE BACK OPTION #5100YR



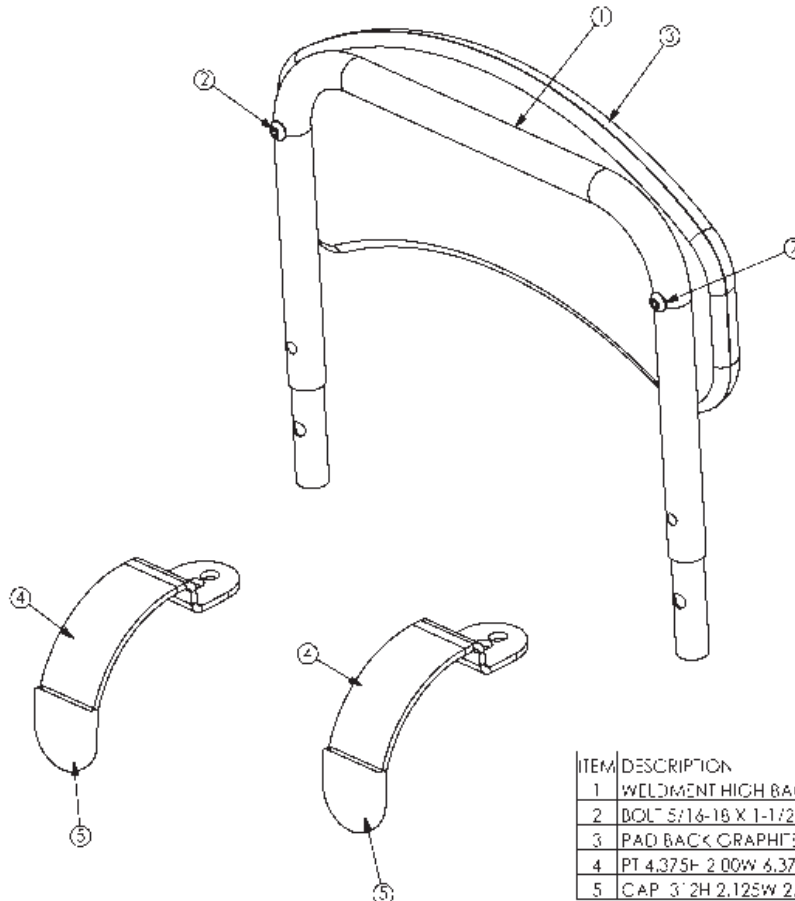
ITEM	DESCRIPTION
1	WASHER .875 OD .375 ID COVLD
2	PT .000 ID 4.812H 1.34/W 10.71
3	PP BOLT 3/8" X 1 1/4" SHOULDER
4	NUT 5/16 18 NYL INS /N IIIIG-I
5	WELDMENT BACK P VOT
6	PT .750 ID 16G 14.75L
7	CAP .750 ID 4-20 GA BIK RND
8	SPRING 3C 150 D W/DOME HEAD
9	BOIT 3/8" X 1 1/2" SHOULDER BOIT
10	NUT 5/16 18 JAM NYL INS L/N
11	BOLT 5/16-18 X 1-1/2 BIN SLCS
12	PAD BACK GRAPHIC L GRAY
13	PT .250 ID .750 ID 15.0L
14	CAP .25H 1.00W 2.00L
15	5/16 18 X 3/8 RTN SFCS
16	PT .000 ID 18G 9.375H 1.347W 10.71
17	LABEL FOLLOWING ARM
18	WELDMENT ARM/BACK BRACK
19	KNOB 5/16-18 X 5/8 7C 5 P
20	REMOVABLE TOP TUBE
21	PT 25H .750W 2.12L
22	KNOB 5/16-18 X 3/4 7C 5 P
23	CAP ID 14-23 GA BIK RND
24	WELDMENT HIP SUPPORT
25	WELDMENT R. HIP SUPPORT

LATERAL SUPPORTS #5036



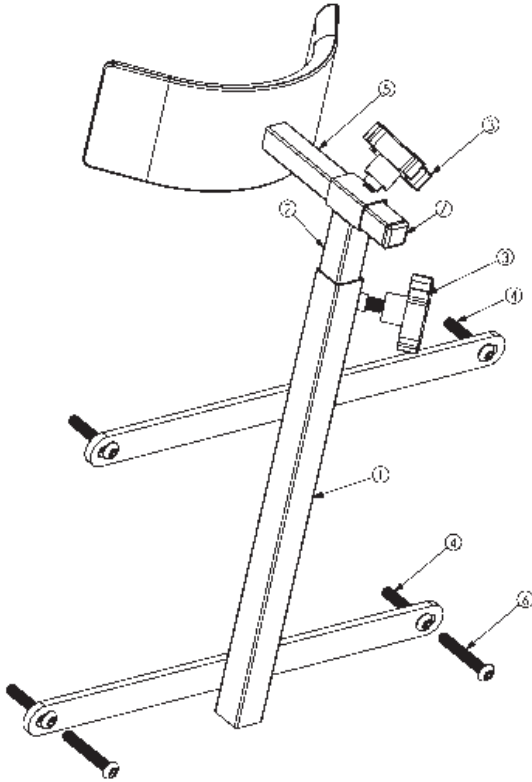
ITEM	DESCRIPTION
1	WELDMENT LATERAL SUPPORT BRACKET
2	BOLT 5/16-18 X 1-1/2 316 S-HCS
3	PT 4.375H 2.00W 2.00L
4	KNOB 5/16 5 X 4 1/2 5/8
5	CG 1.2516 8 X 1/2 316 S-HCS
6	BOLT 1/2-13 X 1 316 S-HCS
7	PAD 12 LATERAL GRAPHITE GRAY
8	CG 1.2516 8 X 1 1/4 316 S-HCS

HIGH BACK W/CHEST STRAP #5150



ITEM	DESCRIPTION
1	WELDMENT HIGH BACK
2	BOLT 5/16-18 X 1-1/2 316 S-HCS
3	PAD BACK GRAPHITE GRAY
4	PT 4.375H 2.00W 4.375L
5	CAP 3 1/2H 2.125W 2.062L

HIGH BACK HEAD SUPPORT #5032



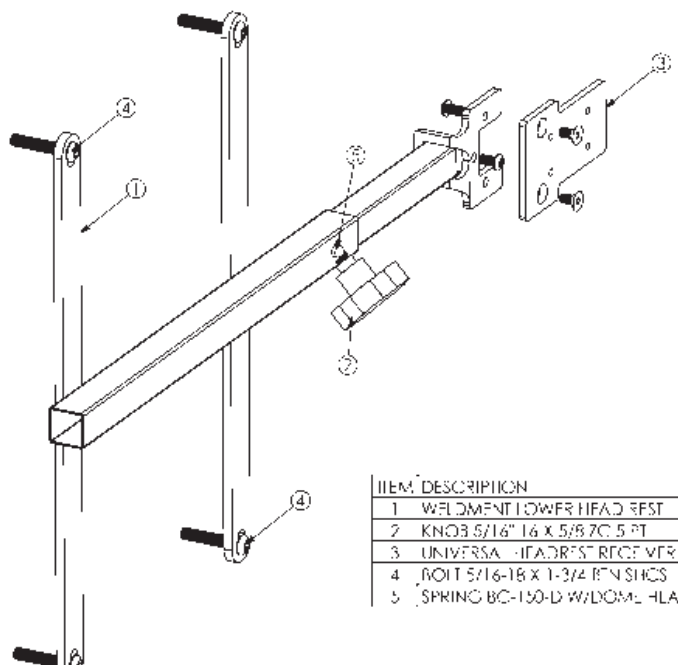
ITEM DESCRIPTION	
1	WELDMENT LOWER HEAD REST
2	WELDMENT UPPER HEAD REST
3	PP KNOB 5/16" 1/8 X 1 7/8 1/2 4 PT BLK
4	PP ROD 1 5/8 1/8 X 1 3/4 4 FN SHCS
5	PP HEAD REST
6	PP ROD 1 5/8 1/8 X 2 5/8 4 SHCS
7	PP 1 5/8 1/8 W 1/4 20 GA BLK SQ

BACK HEAD SUPPORT #7030



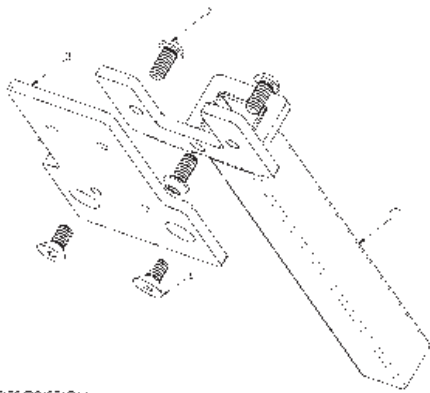
HIGH BACK UNIVERSAL RECEIVER #80643

BACK UNIVERSAL RECEIVER #80642



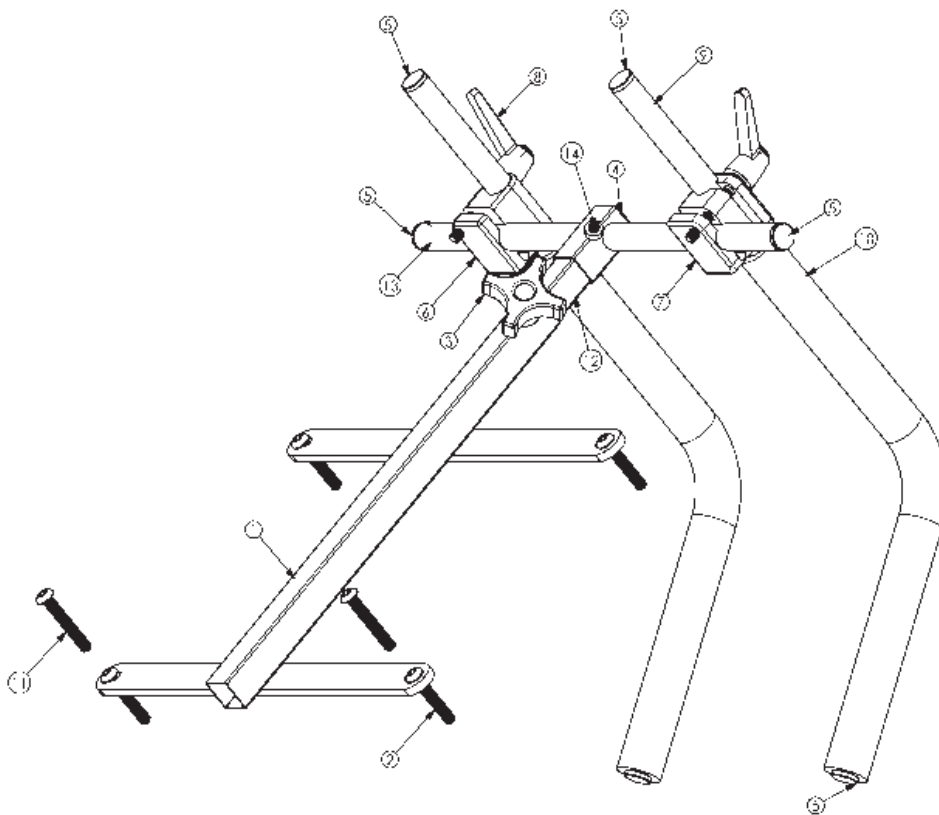
ITEM DESCRIPTION	
1	WELDMENT LOWER HEAD REST
2	KNOB 5/16" 1/4 X 5/8 7/8 5 PT
3	UNIVERSAL HEADREST RECEIVER
4	ROD 5/16-18 X 1-3/4 4 FN SHCS
5	SPRING BC-150-D WLDOML HEAD

UNIVERSAL HEADREST RECEIVER #80608



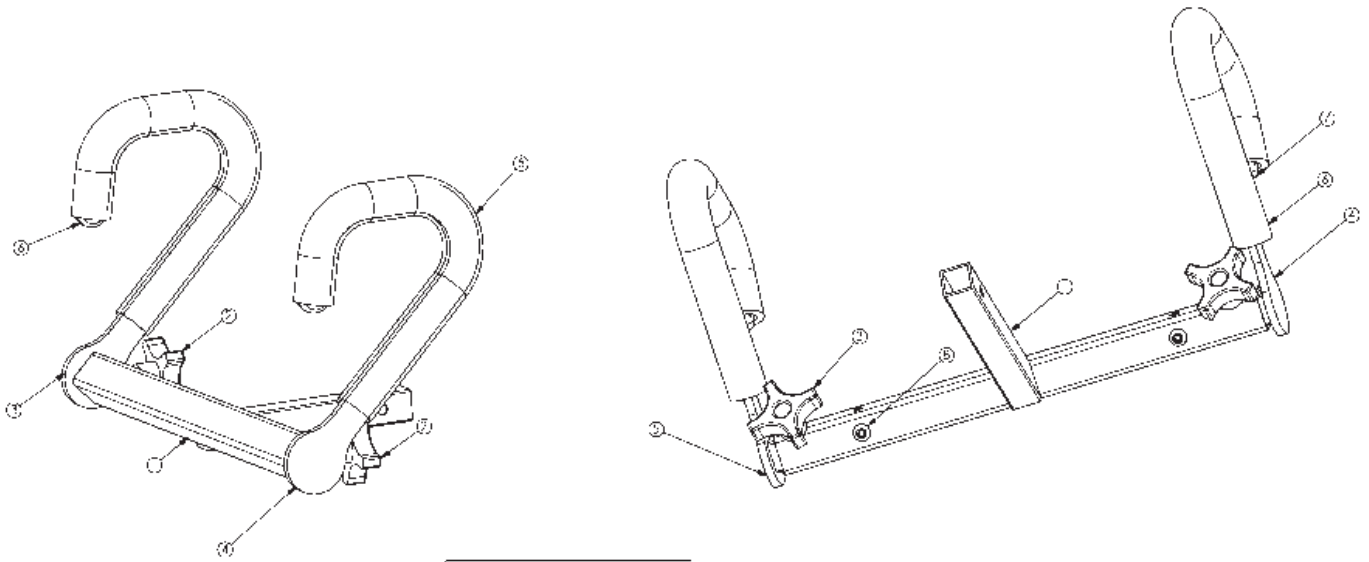
ITEM	DESCRIPTION
1	W/LODMNT UNIVERSL HEADREST BRACKET
2	PP BOLT 5/16-18 X 1/2 316 SHCS
3	PP W/ 8811 7.673W 4.75H
4	PP BOLT 1/4-20 X 1/2 316 SHCS

SHOULDER RETRACTORS #5034



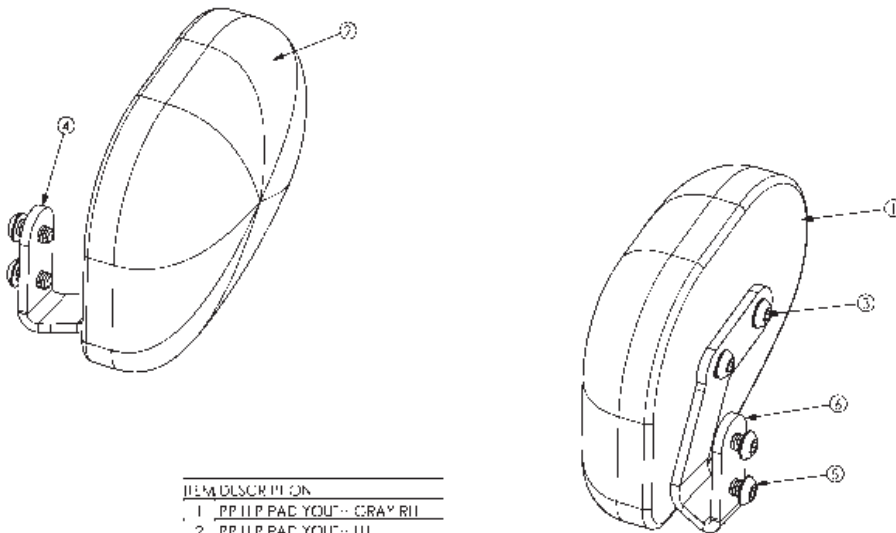
ITEM	DESCRIPTION
1	W/LODMNT LOWER HEADREST
2	PP BOLT 5/16-18 X 1 3/4 316 SHCS
3	PP KNOB 5/16"-18 X 1/2" AC 4 P 316
4	PP CAP 875 - 875W 14-20 GA 316 RND
5	PP CAP 750 14-20 GA 316 RND
6	PP 2.00H 2.00W 1.50L
7	PP 2.00H 2.00W 1.50L
8	PP KNOB 5/16"-18 X 2.00 QUICK ADJ.
9	PP 750 14G 8 688 8 539
10	PP 1.25OD 1.25ID 1.50L
11	PP BOLT 5/16-18 X 2 3/4 316 SHCS
12	RM 18G 875H 875W 15.00L
13	W/LODMNT ADJUSTABLE SHOULDER RETAINER
14	PP BOLT 5/16-18 X 3/8 316 SHCS

NO BACK OPTION #58582



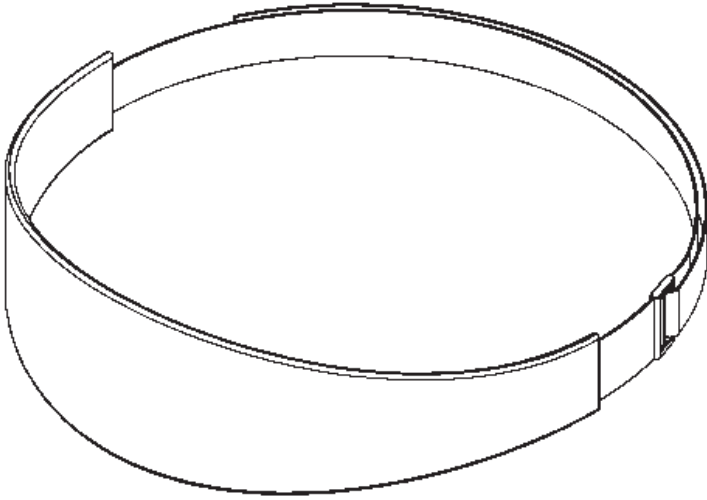
ITEM DESCRIPTION	
WELDMENT ARMING BACK	
3	PP KNOB 5/16" 6 X 5/8 1/2 4 P
4	WELDMENT R-IP SUPPORT
5	WELDMENT L-IP SUPPORT
6	PP 1.2500 250 7 1/2 5 00
7	PP CAP 2M 1 1/2 20W 2.00
8	PP BOLT 5/16 1/8 X 2 3/8 N 5 10CS

HIP GUIDES #5038Y

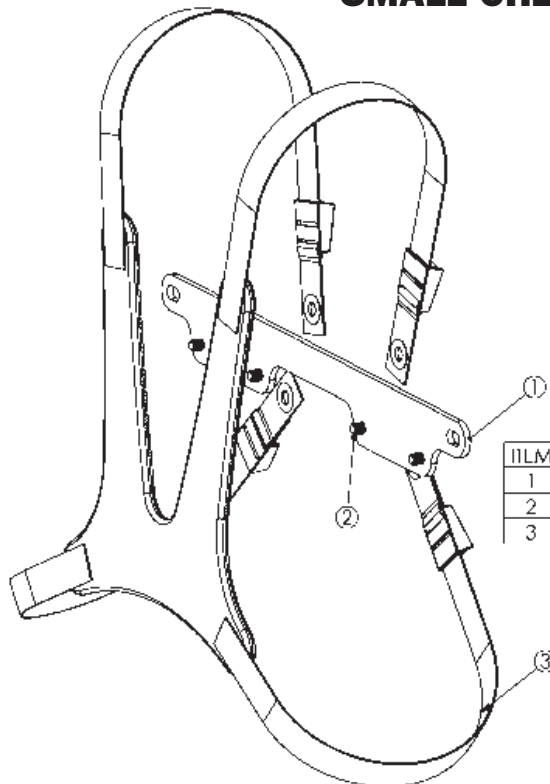


ITEM DESCRIPTION	
1	PP HIP PAD YOU-- GRAY RII
2	PP HIP PAD YOU-- III
3	PP BO 1 5/16 18 X 1 7/8 3IN S-CS
4	PP 18/25-- 3/8W 3 5L
5	PP BO 1 5/16 18 X 5/8 3IN S-CS
6	PP 18/25-- 3/8W 3 5L

LARGE CHEST STRAP #51600
SMALL CHEST STRAP #51601

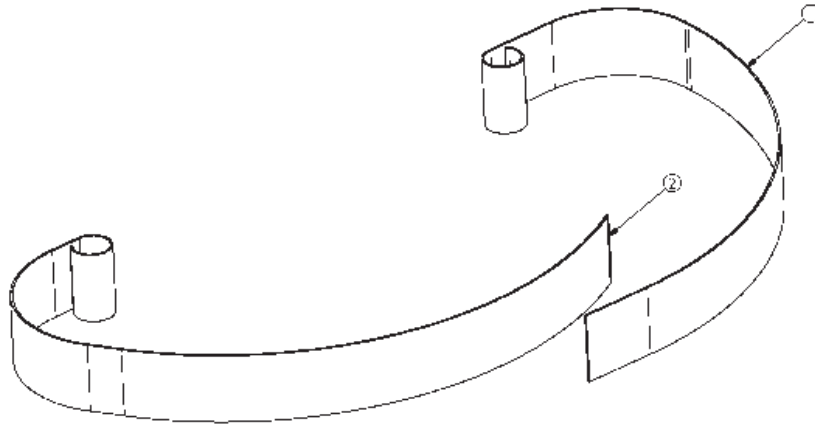


LARGE CHEST VEST #80633
MEDIUM CHEST VEST #80632
SMALL CHEST VEST #80631



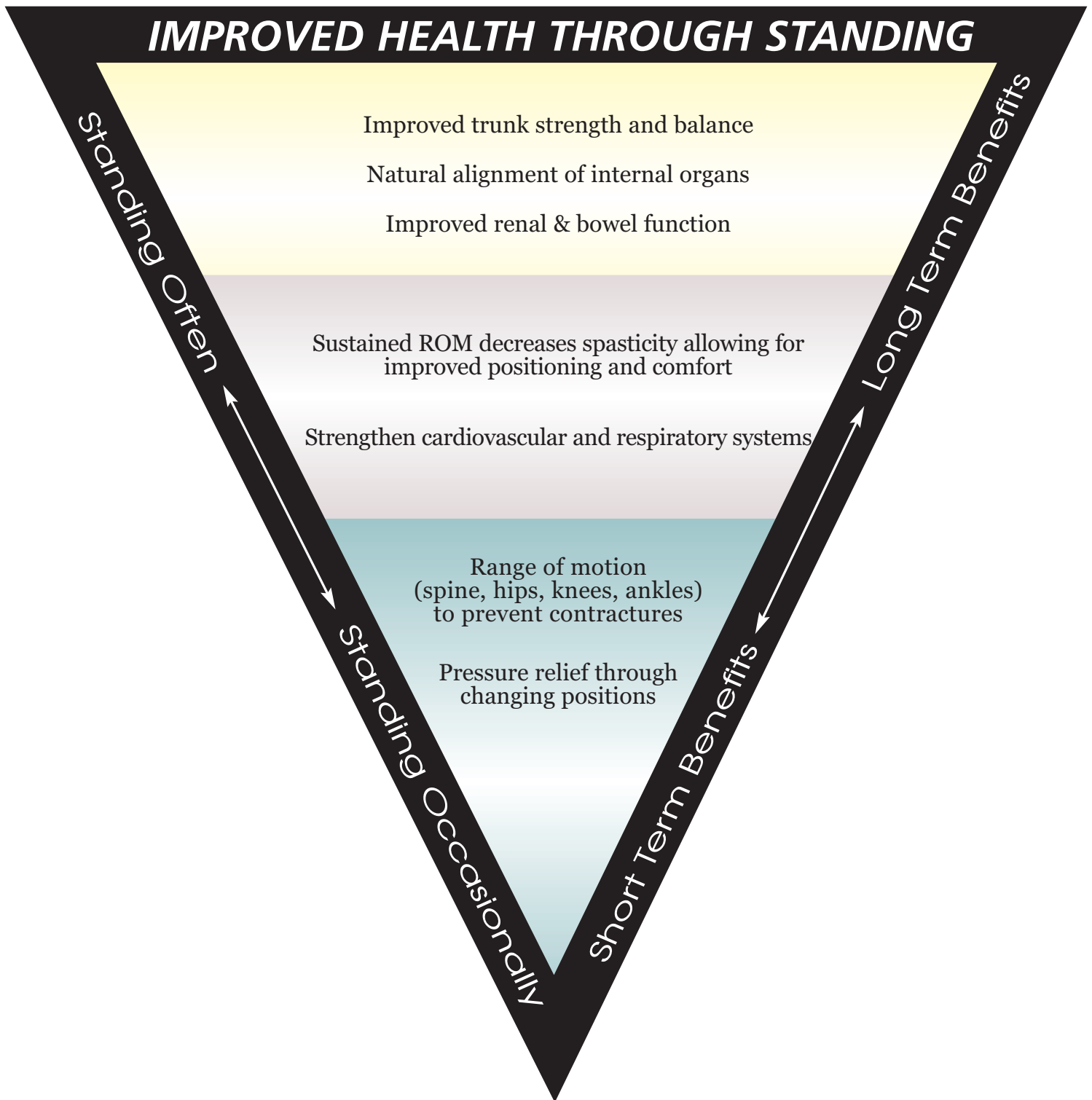
ITEM DESCRIPTION	
1	PP .188H 2.00W 15.50L
2	PIP BOLT 5/16-18 X 1/2 BIN SI-CS
3	CHEST VEST ASSEMBLY

SEAT BELT #51500



ITEM	DESCRIPTION
1	PP STRAP PUL. SID: 2.00W 27.00.
2	PP STRAP HOOKS DL 2.00W 27.00L

Health Benefits



User Log

photo copy this page for a long term record of your standing progress

Client Name	Date	Start Time	End Time	Total Time

Specifications

Height Range	4'0"-5'6"	122-168cm
Weight Limit	180 lbs.	82kg
Seat Depth Range (from front pivot)	14"-18"	36-46cm
Seat Height from Floor (transfer height)	19.5"	49cm
Seat to Footplate Range	11"-19"	28-48cm
Table/Frontpad Depth Range (from seat when standing)	2'-10"	5-25cm
Table Height Range (from seat pivot)	12"-26"	31-66cm
Kneepad Depth Range	3"-5"	8-13cm
Knee Width (from front of seat)	8"	20cm
Footprint	26.5"x33"	68x84cm
Weight of Basic Unit	121 lbs.	55kg
Frame Color	Black Powder Coat	
Standard Upholstery Color	Graphite Gray	
Black Table Size	19.5"x20"	50x51cm
Desk Table Size	20"x25"	51x64cm

Limited Warranty

This warranty is extended only to the original purchaser/customer (or dealer non consumer who does not buy or resell). Altimate Medical, Inc. (AMI) warrants the EasyStand 5000 Youth against defects in materials and workmanship as listed below.

- Steel Frames - 5 year warranty
- Hydraulic Actuator - 2 year warranty
- Upholstered components, plastic pads, rubber parts, painted surfaces, bearings and other parts not specifically identified above - 90 day warranty

The warranty period commences for the consumer on the purchase date from the seller/dealer. If the product is rented or otherwise not sold to a consumer, the warranty period commences from the date of invoice from AMI. Any product proven to AMI satisfaction to be defective and within warranty period, shall be repaired or replaced at AMI's option.

AMI'S SOLE OBLIGATION AND YOUR EXCLUSIVE REMEDY UNDER THIS WARRANTY SHALL BE LIMITED TO SUCH REPAIR AND/OR REPLACEMENT. This warranty does not include any labor charges incurred in replacement parts installation. Freight charges to factory are at the expense of consumer to seller. Return freight charges will be prepaid by AMI. For warranty service, please contact the authorized dealer from whom you purchased your AMI product. In the event you do not receive satisfactory warranty service, please write directly to AMI at the address below. Do not return products to our factory without prior authorization.

LIMITATIONS AND EXCLUSIONS: The foregoing warranty shall not apply to serial numbered products if the serial number has been removed or defaced. Products subject to negligence, abuse, misuse, improper operation, improper maintenance, improper storage, or damages beyond AMI's control are not covered by this warranty, and that evaluation will be solely determined by AMI. The warranty shall not apply to problems arising from normal wear or failure to follow instructions. The warranty will be void if parts not manufactured by AMI or parts not complying with original equipment specifications are added to an AMI product.

THE FOREGOING WARRANTY IS EXCLUSIVE AND IN LIEU OF ALL OTHER EXPRESS WARRANTIES. AMI SHALL NOT BE LIABLE FOR ANY CONSEQUENTIAL OR INCIDENTAL DAMAGES WHATSOEVER.

AMI maintains a policy of continual product improvement and reserves the right to change features, specifications, and prices without prior notification. Check with AMI for latest information.

Altimate Medical, Inc., P.O. Box 180, 262 W. 1st St., Morton, MN 56270 USA
Phone: 507•697•6393 Fax: 507•697•6900 1 800•342•8968
www.easystand.com info@easystand.com
Revised June, 2004

Environmental Issues

After life of the product:

- Recycle in accordance with the recycling codes of your country.
- Recycle all metal parts.
- Plastic parts should be disposed of or recycled according to the directive in your country.
- Please inquire at your local disposal management and recycling center for local codes.
- Return hydraulic actuator to Altimate Medical, Inc.



EasyStand products are manufactured by Altimate Medical, Inc. A small company with a big heart, based out of Morton, Minnesota, Altimate Medical is proud to have been helping people stand for fifteen years. If you have any stories or comments about standing please write us at the address below.
Thank you.

AltimateMedical

P.O. Box 180
262 West 1st St
Morton, MN 56270

Toll Free: 800.342.8968 or 507.697.6393
Fax Free: 877.342.8968 or 507.697.6900
email: info@easystand.com
www.easystand.com



EasyStand®

Standing technology should only be used under the guidance of a physician with recommendations for standing program protocol and any medical precautions. Standing programs should be monitored by the attending therapist. AMI maintains a policy of continual product improvement and reserves the right to change features, specifications, and prices without prior notification. Check with AMI for latest info.
FORM MAN5Y 0604 Copyright © 2004 Altimate Medical, Inc. All rights reserved. Printed in the U.S.A.