



Version 002

INSTRUCTION FOR USE

Multistander

Max user weight: 35 kg
Weight of product: 20 kg



Important Information: These instructions must be kept with the product at all times. This product is a prescribed Medical Device. To be used only under the guidance of a Therapist or Prescribing Practitioner. You must read these instructions carefully before use.



INSTRUCTION FOR USE

Multistander

Note: Some fabric and plastic colours may vary, adjustments are not affected.

Supine configuration



Prone configuration



Contents

Safety Information

Safety Labels	5
Important Safety Information	6
Basic Safe Configuration	7

General Information

Key.....	9
Care and Cleaning Instructions	10
Maintenance.....	11
Product Induction & Hand Over	12
Specification & Warranty	13
Main Features and Benefits.....	14
Initial assembly.....	16
Fitting the tray fixing bracket.....	16
Fitting the footplate.....	17
Fitting the kneeblocks.....	18
Fitting the support pads.....	19

Frequent Adjustments

Castors.....	21
Safety straps	22
Kneeblock straps.....	24
Tray fixing bracket.....	25
Tray fitting & depth / height adjustment	27
Tray angle / Depth.....	28
Fitting the sandals	29
Tray fixing bracket height / remove.....	29
Adjusting the sandals	30

Clinical Adjustments

Support pad adjustment	32
Kneeblocks.....	33
Upper pad angle	35
Angle adjustment.....	36
Height adjustment	38
Lower pad height.....	40
Upper pad height.....	41

Optional Components

Removable covers and chest prompt.....	43
Fitting the headrest	45
Headrest adjustment	46
Multigrip headrest.....	49
Sandal raising blocks	50
Elbow blocks (tray)	50
Angle adjustable footplate	51
Thin thoracic pads.....	54
High rise thoracic pads.....	54

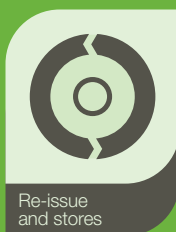
Maintenance & Inspection

Maintenance & Inspection	57
Frequently Asked Questions.....	59
Notes	59



CHAPTER ONE

Safety Information



Safety Labels



Serial Number/ CE Certification

The serial number is written on the CE label (see picture), which is located on the product. Please quote this number on all correspondence.



Product Labels

Each Jenx product has a number of pictorial safety labels attached, please refer to the explanations below.

	Attention / Warning		Client weight Limit (changes per model and size)
	Please read Instruction for use		Conforms to CE Marking Regulations Medical Devices Directive (MDD) 93/42 EEC)
	Only for indoor use		
	Always fasten and adjust positioning straps and belts to suit the child. Adjust to suit changes in clothing. Allow one fingers width between the belt and the child		
	Do not leave child unattended (see page 4 for full warning)		
	DO NOT USE as a mobility device Never use product on rough ground or uneven surface		

Important Safety Information



This product must be thoroughly inspected by a qualified person at least annually



Ensure that your Therapist has confirmed that the product is correctly set up, by signing the 'Set Up' section of the Log book before using this product. If the product has not been set up by your Therapist DO NOT USE.



Jenx Limited recommends that children are never left unattended whilst using this Medical Device. Children may slip or fall when unattended and may suffer serious injury. It is the sole responsibility of the person caring for a child using this Medical Device to ensure the safety of the child in the Device should they be left alone.



Always read the instructions before operating. Failure to read and follow the Instruction for Use, especially with regard to moving parts, may pose a risk to the user.



Do not use this product if you suspect or know that it is broken or faulty. Please contact Jenx Limited immediately for advice: Jenx Limited, Tel: +44 (0)114 285 3376.



This product contains small parts which could present a choking hazard to small children.



All Jenx Limited products are tested to meet current Fire Safety regulations. Always keep products away from; naked flames, cigarettes and sources of heat such as heaters.



Jenx Limited supplies the necessary tools to adjust each product. These tools are supplied for use by trained therapists only. Store the tools in a safe place and keep away from children.



Assemble product fully before use. Please contact Jenx Limited if you have any problems at this stage. Jenx Limited, Tel: +44 (0)114 285 3376.



Ensure that good care is taken of your product: clean regularly. Do not use abrasive cleaners. When not in use, store this product in a dry place that is not subject to extreme temperatures. Places not to store this product include garages, attics or garden sheds.



All belts and harnesses should be used at all times. For therapy purposes it may be necessary to deviate from this rule and any deviation should be fully documented as part of a Risk Assessment or Therapy Program and all relevant staff and carers appropriately trained. Secure client with straps before adjusting product. Ensure finger's width between safety strap and client to prevent over tightening or client moving to inappropriate position. Adjust straps for each client and changes of clothing. Minimum Velcro® overlap: 3 inches (7.5cm) on all straps. If strap is not long enough: DO NOT USE PRODUCT.



This product conforms to the European Medical Devices Directive. It has not been tested in conjunction with other manufacturer's products. Do not add any accessories other than Jenx Limited accessories to this product. If in doubt, contact Jenx for advice +44 (0)114 285 3376.



Any changes or alterations carried out by persons other than a Jenx authorised service person will invalidate the warranty and Jenx can accept no liability for any injury or damage so caused.



All Jenx products are Medical Devices and are sold on the understanding that they will be prescribed, issued and maintained in line with current national device management guidelines.

Basic Safe Configuration



Supine configuration



Supine

In order to safely use the Multistander in supine mode, the following features must be used: Kneeblocks and straps, chest pads and straps, hip pads and straps, footplate, sandals and headrest. Failure to use these basic features may pose a risk to the user. Other accessories can be added but these basic features must always be used.

Prone configuration



Prone

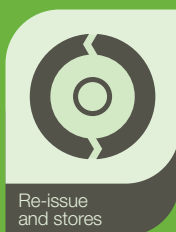
In order to safely use the Multistander in prone mode, the following features must be used: Kneeblocks and straps, chest pads and straps, hip pads and straps, footplate and sandals. Failure to use these basic features may pose a risk to the user. Other accessories can be added but these basic features must always be used.



If using in prone without the tray, ensure that both the tray and the tray fixing bracket are removed. Be aware that there are potential hazards and finger traps present on the stander in the prone configuration without a tray fitted

CHAPTER ONE

General Information



Key



Key to Components



Wing knob



Allen key bolt



Swiss clip



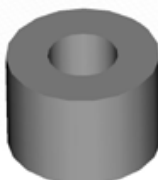
T-Nut



Wing nut



Star knob



Plastic spacer



Plastic washer



Clamping lever



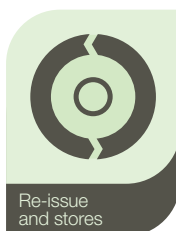
Scallop wheel

Note: Design may vary

Key for Users



Carers and home users



Re-issue and stores



Professional and technical users



Adjustment specific to the stander in the prone configuration



Adjustment specific to the stander in the supine configuration

Care and Cleaning Instructions

Fabrics, Vinyl and PU (polyurethane)

- Minor spills can be removed with a damp cloth
- Spillages should be removed as quickly as possible after contact, dab the stain, do not rub
- Do not over wet the stain
- Do not use organic solvents, dry cleaning fluids, abrasive cleaners or industrial bleaches
- Antibacterial spray or wipes can be used
- Always ensure that the product is dry before use

Wooden Products and Parts

- For deep cleaning, a low pressure steam cleaner can be used
- Do not use organic solvents to clean Jenx Products
- Soap and water or antibacterial spray can be used
- Check for breaks or splintering of the wood before re-issuing
- Daily cleaning: Spray polish or wax polish can be used

Metal Frames and Coated Parts

- For deep cleaning, a low pressure steam cleaner can be used
- Do not use organic solvents to clean Jenx products
- Soap and water or antibacterial spray can be used
- Daily cleaning: Wipe framework down with a damp cloth as necessary

Maintenance



Daily Checks

Daily checks of the equipment should be carried out by carers. These checks are not technical but a basic understanding of the product is needed. Multiple daily checks may be needed in schools or therapy rooms where the products are used by multiple users. The checks should include the following points:

- Replace any lost or worn washers or bolts
- Check tray for damage. Ensure that the tray edging is secure and that the tray is clean and free of any rough or sharp corners
- Check all upholstery for any signs of wear and tear
- Brush Velcro® to remove fluff
- Check wooden parts for splitting or splintering
- Check straps for fraying and missing or broken buckles
- Clean any stains or spillages
- Contact Jenx Limited if any accessories not manufactured by Jenx Limited have been attached to the product. Unauthorised accessories may affect the safety of this product and invalidate your warranty
- Check that gas spring levers are not bent. Do not use the product if any levers are bent. Contact Jenx Limited to arrange replacement

Monthly Checks

We recommend that on a monthly basis a competent person who is familiar with this piece of equipment and who has been trained in its use should carry out a more detailed check:

- Check that all nuts and bolts are in place and secured
- Check that all mechanical movements operate fully
- Check the structure of the product for signs of fatigue
- Castors: Lift base and check each wheel to ensure it is not loose or worn. Remove any grease or dirt that has built up on the wheels, check that the brake stops the wheels rotating (where applicable)
- Check gas springs for normal operation and resistance. Slow descent (creeping) of the gas spring can be checked by observing the position of the unit over a period of time
- Check that gas spring levers are not bent. Do not use the product if any levers are bent. Contact Jenx Limited to arrange replacement

If you have filled your product inspection log book, copies can be printed from www.jenx.com



This product must be thoroughly inspected by a qualified person at least annually

Product Induction & Hand Over



This product is a Prescribed Medical Device and as such it is important that all users understand the use and adjustments that this product offers. This booklet shows the range of adjustments and gives guidelines for each type of user to follow.

Professional / Technical users

This refers to the Therapist and Prescribing Practitioner.

Ensure you read all sections in this booklet and are fully familiar with all the adjustments. As well as the selection, prescription and set up of the product to suit the client's needs, the technical user has the responsibility for the induction of the Carer, ensuring that the Carer:

- Has an understanding of the safety aspects of the product
- Is familiar with the product; what to use and what not to use
- Knows which accessories have been added and what daily adjustments to make
- Has an understanding of the care and cleaning procedures

A formal hand over procedure should be adopted for this product. Use the separate Inspection Log to record set ups and changes to the product. Jenx Limited offers Product Courses for Technical Users. Please contact us for more information.

Carer (This section refers to the daily carer)

This product is a Prescribed Medical Device. It should only be used with the guidance of a prescribing professional. Do not make any adjustments other than those you have been instructed to make.

The Carer section of this guide gives the adjustments needed to aid daily use only, any other adjustments are only to be performed by the Therapist.

Re-Issue (This section refers to Stores Personnel)

Stores personnel must follow the checks and maintenance guide before re-issue. The Medicines and Healthcare products Regulatory Agency (MHRA) releases regular bulletins regarding product updates and issues. These should be monitored.

- Records should be kept on all products serviced or re-issued
- Repairs or replaced parts should be traceable
- The Jenx serial number should always stay with the product and never be removed
- Instructions should always be issued with the product. Copies are available from Jenx Limited or can be downloaded from www.jenx.com
- Always inform the technical user before a product is issued to a home for set-up purposes
- If the product is to be re-delivered, ensure adequate and secure packaging is used
- If in any doubt as to the safety of this product do not issue it, contact Jenx Limited for advice
- Products must only be issued fully assembled, clean and in good working order. Instruction for Use must be with the product

Jenx Limited offers Technical User Courses for stores personnel. The course gives guidance for: maintenance, inspection of the products, regulatory information, cleaning. Please contact us for more information.

Specification & Warranty



Size Guide	
Average user age range	9 months - 6 years
Maximum user weight	35 Kg
Maximum user height	1160 mm
Base Dimensions (mm)	700 x 840 mm

Description	Prone	Supine
Angle range	5° - 85°	5° - 85°
Chest pad width (small pads)	Max: 270 mm Min: 125 mm	Max: 270 mm Min: 125 mm
Hip pad width (small pads)	Max: 270 mm Min: 125 mm	Max: 300 mm Min: 125 mm
Kneeblock width (centre to centre size 1)	Max: 200 mm Min: 120 mm	Max: 200 mm Min: 120 mm
Height of stander (floor to top of upper pad)	Max: 900 mm Min: 600 mm	Max: 900 mm Min: 660 mm

Warranty

The Instruction for Use of this product should be followed carefully. It is impossible to eliminate all risks inherently associated with the use of this product. Product failure or other unintended consequences may result because of such factors as improper storage, use or maintenance, unauthorised and inappropriate alteration or repair or improper or violent treatment, excessive strain, use of improper replacement parts, or because of normal wear and tear, all of which are beyond the control of the Manufacturer and Seller. Buyer and User assume all such risks.

Manufacturer and Seller warrant that this product will be free from defects in material and workmanship for a period of 24 months from the date of purchase and is reasonably fit for the purposes stated in the Instruction for Use, subject to the inherent risks under normal use conditions. This Warranty does not extend to the use of the product contrary to the Instruction for Use, or under abnormal conditions, or under conditions not reasonably foreseeable to or beyond the control of the Manufacturer or Seller. Buyer and User assume the risk of any such use. MANUFACTURER MAKES NO WARRANTIES OF SATISFACTORY QUALITY OR OF FITNESS FOR A PARTICULAR PURPOSE NOR ANY OTHER EXPRESS OR IMPLIED WARRANTY EXCEPT AS STATED ABOVE.

In no event shall Manufacturer or Seller be liable for any incidental, consequential or special damages resulting from the use of this product. THE EXCLUSIVE REMEDY OF THE USER OR BUYER AND THE EXCLUSIVE LIABILITY OF MANUFACTURER AND SELLER FOR ANY AND ALL CLAIMS, LOSSES, INJURIES OR DAMAGES (INCLUDING CLAIMS BASED ON BREACH OF WARRANTY, CONTRACT, NEGLIGENCE, TORT STRICT LIABILITY OR OTHERWISE) RESULTING FROM THE USE OF THIS PRODUCT, SHALL BE THE RETURN OF THE PURCHASE PRICE OF THE PRODUCT OR THE REPLACEMENT OF THE PRODUCT.

Manufacturer and Seller offer this product, and Buyer and User accept it, subject to the foregoing conditions of sale and limitations of warranty and liability, which may not be modified except by written agreement signed by a duly authorised representative of the Manufacturer.

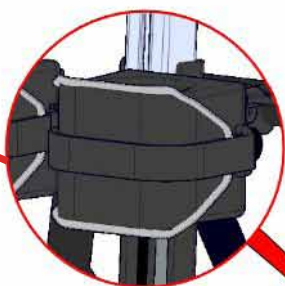
Main Features and Benefits

Prone configuration

pg
34

Kneeblocks

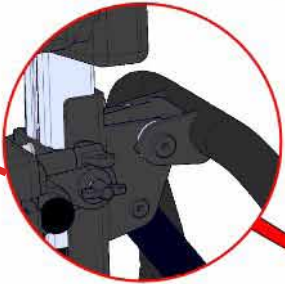
Benefits: Fully adjustable to give appropriate support at the knees



pg
36

Angle Adjustment

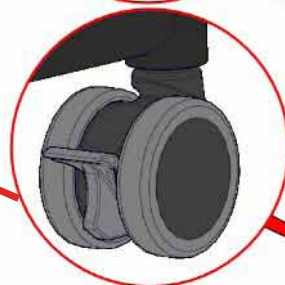
Benefits: Can accommodate users of different abilities as altering the angle of standing changes the forces acting on the child



pg
21

Locking Castors

Benefits: All four castors lock to ensure that the stander stays stationary.





Key

pg
00

The adjustment can be found on the page specified

pg
45

Headrest

Benefits: Fully adjustable to give appropriate support.

Supine configuration



pg
22

Straps

Ensure that the straps are fastened as soon as the child is in the stander

pg
32

Support Pads

Benefits: Adjust to support or brace the child and help to improve symmetry

pg
25

Tray (optional)

Benefits: The tray gives a surface for the child to play and learn on. It is adjustable for height and angle and can be removed.

pg
29

Sandals

Benefits: Ensure the users feet are held firmly in position

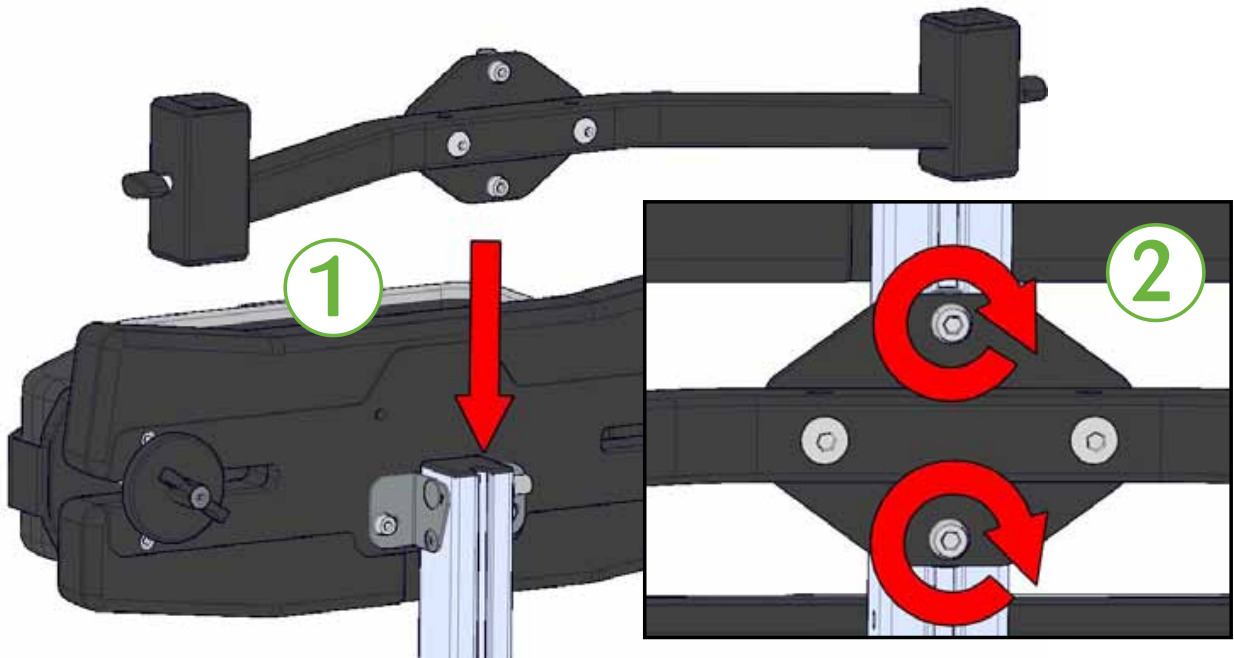
Initial assembly



Multistander as it should look when first taken out of the box.

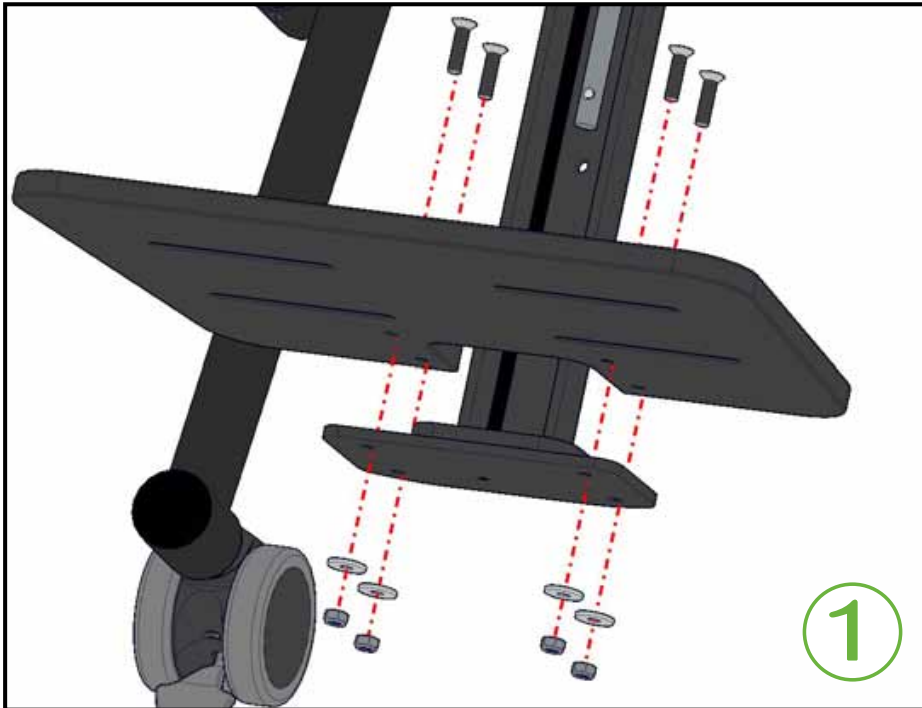
 Before use:
Fit footplate,
kneeblocks, pads,
tray, headrest
(supine)

Fitting the tray fixing bracket



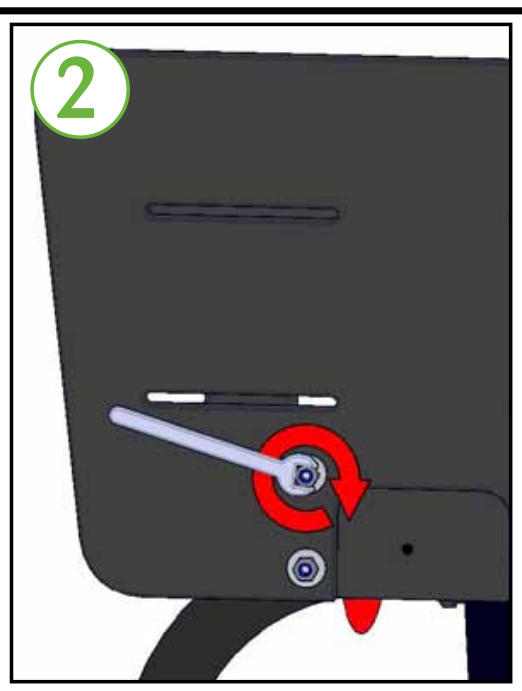
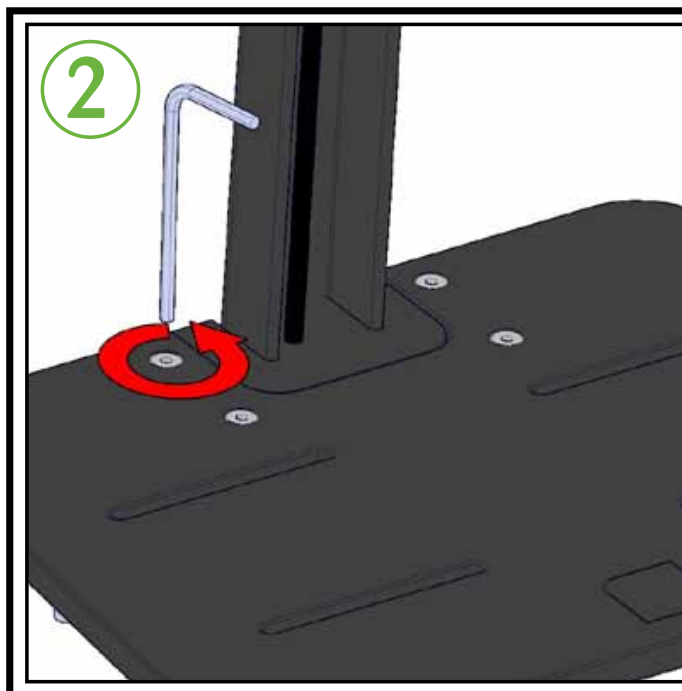
- Step 1:** Slide the barrel nut into the channel as shown above
- Step 2:** Tighten the allen key bolts with the allen key provided

Fitting the footplate



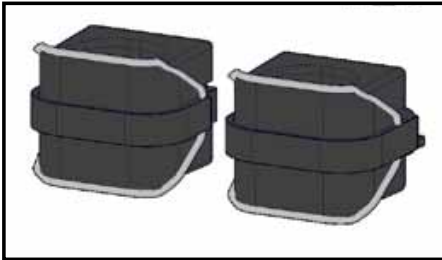
Step 1: Put the bolts supplied through the plate at the bottom of the frame, through the footplate, washer and nut, as shown.

Screw the bolts into the nuts to hold the footplate in place

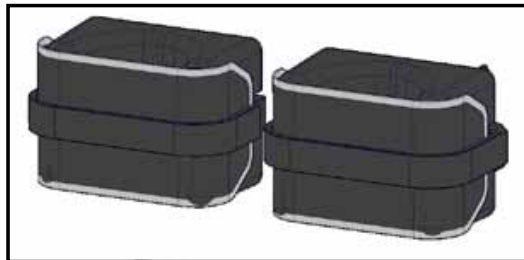


Step 2: Tighten all 4 of the bolts using the 4mm allen key and spanner provided, as shown above.

Fitting the kneeblocks

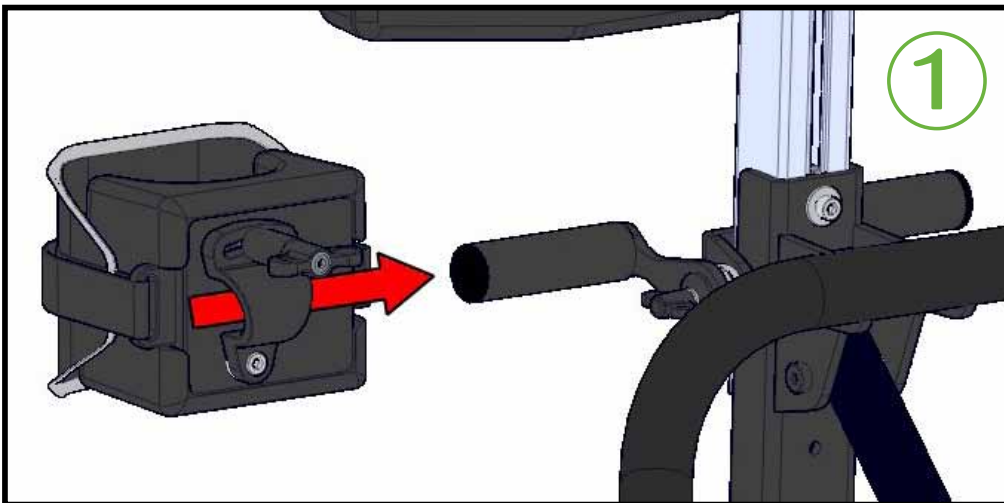


Kneeblocks size 1

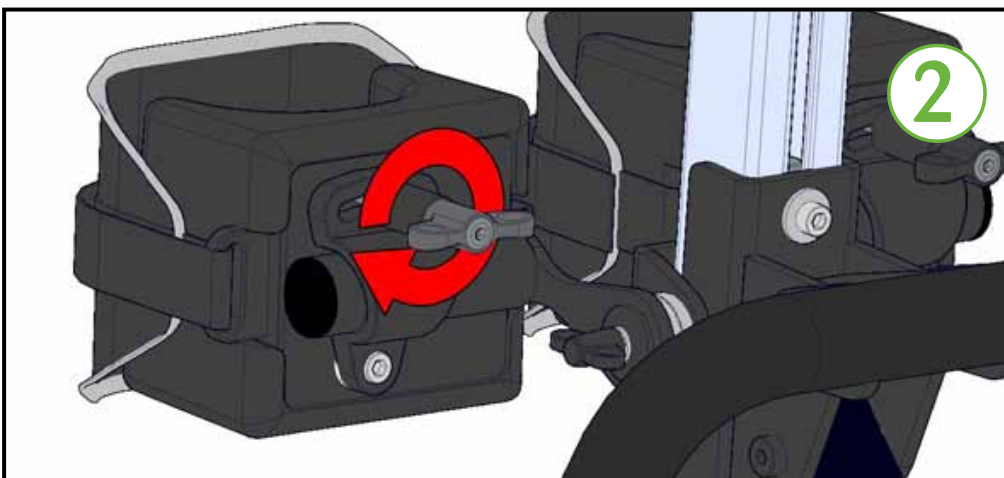


Kneeblocks size 2

Note: Both sizes of kneeblocks fit in the same way

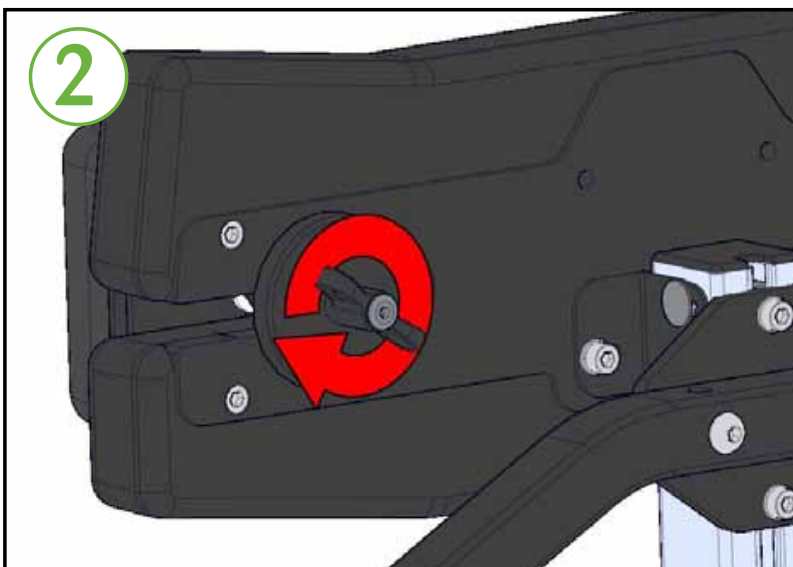
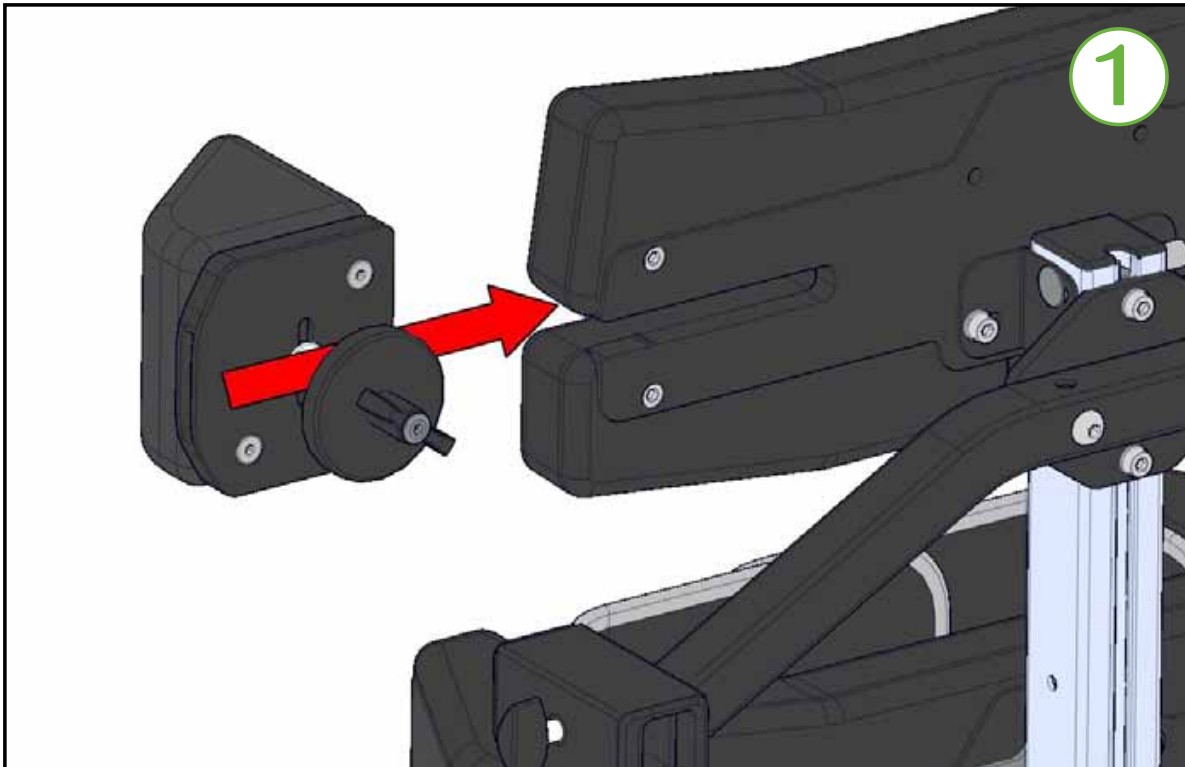


Step 1: Slide the knee block assembly onto the post that is pre mounted to the stander



Step 2: Tighten the wing knob to hold the kneeblock in position

Fitting the support pads



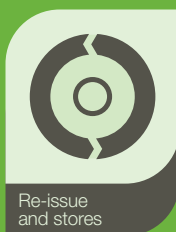
Step 1: Insert the pad onto the stander as shown above

Note: It is necessary to apply a little force to put the support pad onto the stander. There is a notch in the plastic to limit the safe adjustment range.

Step 2: Tighten the wing knob to hold the pad in place. Repeat for the other 3 pads.

CHAPTER TWO

Frequent Adjustments



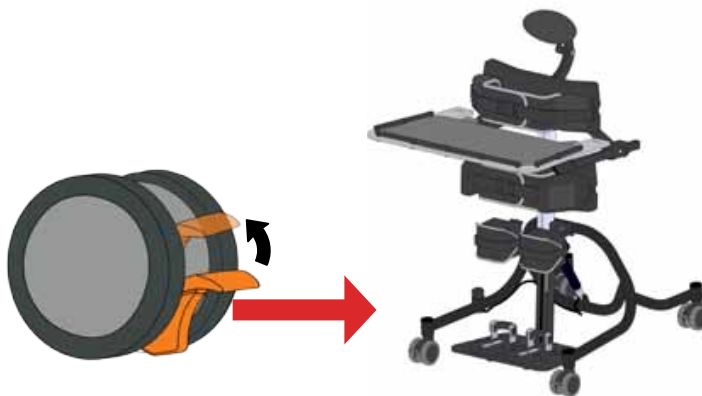
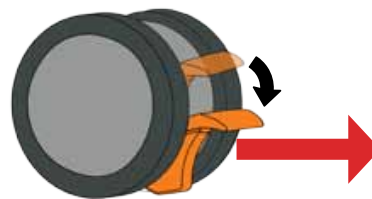
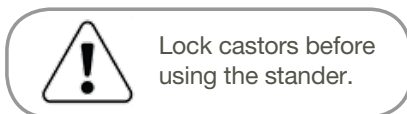
Castors



Supine configuration

Lock Castors

Press down on the lever to lock the castor.



Unlock Castors

Lift the lever to unlock the castor.

Do not move the stander with the castors locked

Supine configuration

Safety straps



Step 1: Image showing the straps open.



Step 2: Fix the child in place using the large velcro strap



Step 3: Pull the strap to tighten the large velcro strap around the child



Step 4: Stick the velcro to the support pad



All belts and harnesses should be used at all times. For therapy purposes it may be necessary to deviate from this rule and any deviation should be fully documented as part of a Risk Assessment or Therapy Program and all relevant staff and carers appropriately trained. Secure client with straps before adjusting product. Ensure finger's width between safety strap and client to prevent over tightening or client moving to inappropriate position. Adjust straps for each client and changes of clothing. Minimum Velcro® overlap: 3 inches (7.5cm) on all straps. If strap is not long enough: DO NOT USE PRODUCT.

Safety straps



Step 5: Clip the buckle



Step 6: Pull the smaller velcro strap to tighten



Step 7: Secure it back on itself



Step 8: Image showing the tightened straps



All belts and harnesses should be used at all times. For therapy purposes it may be necessary to deviate from this rule and any deviation should be fully documented as part of a Risk Assessment or Therapy Program and all relevant staff and carers appropriately trained. Secure client with straps before adjusting product. Ensure finger's width between safety strap and client to prevent over tightening or client moving to inappropriate position. Adjust straps for each client and changes of clothing. Minimum Velcro® overlap: 3 inches (7.5cm) on all straps. If strap is not long enough: DO NOT USE PRODUCT.

Kneeblock straps



Step 1: Thread the strap through the plastic loop at the back of the knee pad



Step 2: Pull the strap through to secure the knee in place



Step 3: Stick the velcro back on itself



Step 4: The knee straps secure

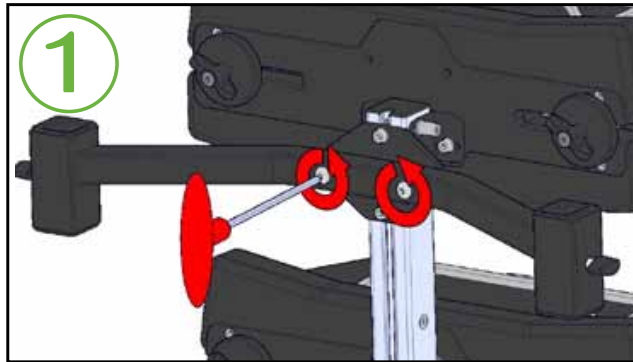


Step 5: Fasten the press stud over the strap

S Tray fixing bracket



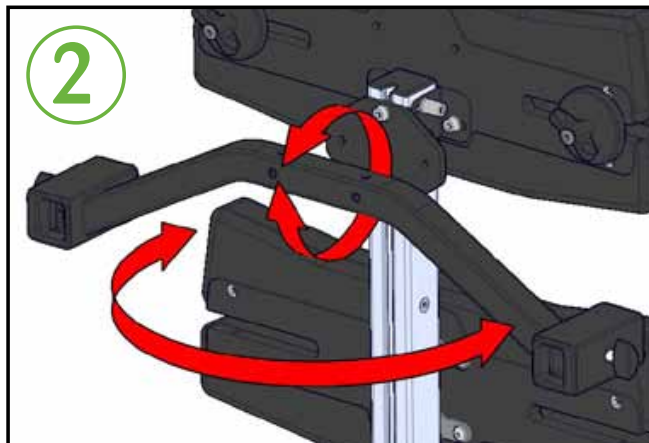
Prone to Supine



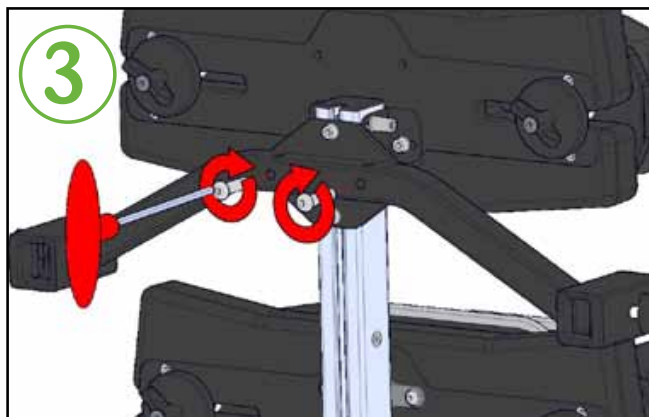
Step 1: Remove the 2 bolts using the allen key provided, as shown. Ensure that the washer stays on the bolt



Tray fixing bracket should be removed when not in use, see page 29 for instructions on how to remove.



Step 2: Line up the yellow stickers. This is done by rotating the bracket as shown opposite

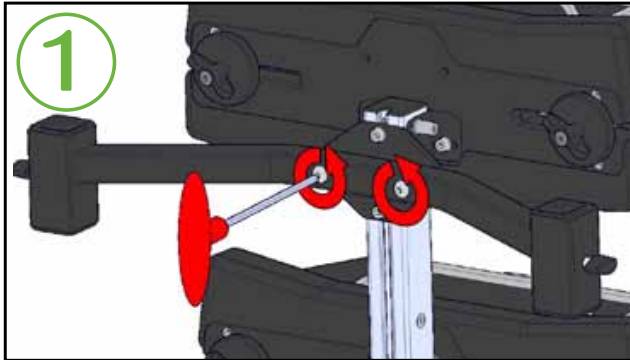


Step 3: Insert bolts (with washers) and tighten

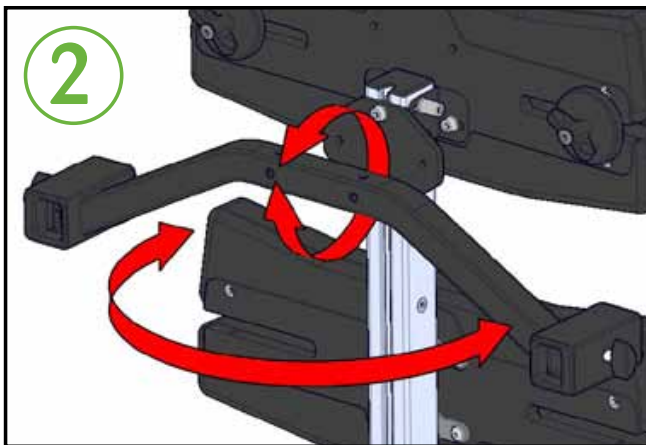
P Tray fixing bracket



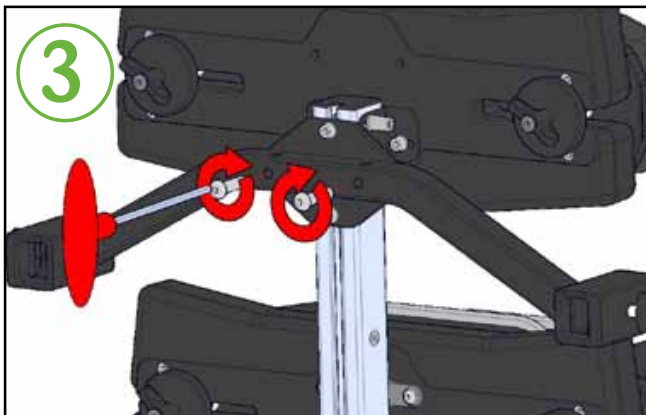
Supine to Prone



Step 1: Remove the 2 bolts using the allen key provided, as shown. Ensure that the washer stays on the bolt

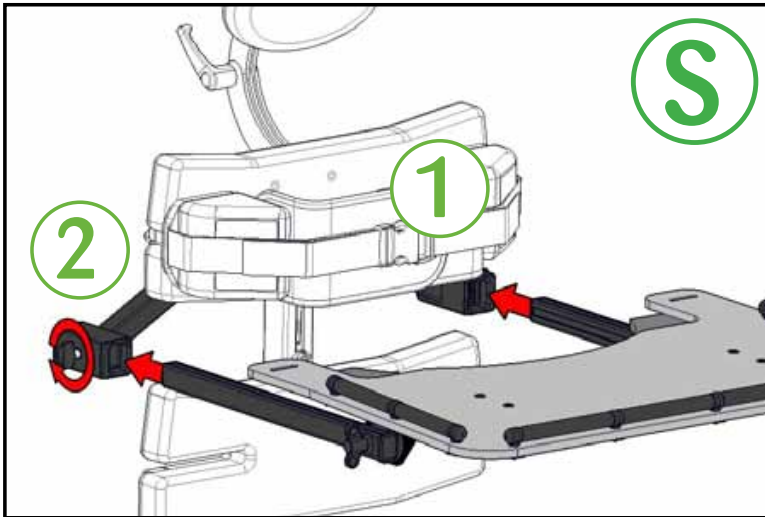


Step 2: Line up the red stickers. This is done by rotating the bracket as shown opposite



Step 3: Insert bolts (with washers) and tighten

Tray fitting & depth / height adjustment



Supine

Step 1: Insert the tray in to the fixing brackets

Step 2: Tighten the wing knobs (one on each side)



Only the occupant of the product should lean on the tray



Only use the tray infill with the tray in the prone configuration



Prone

Step 1: Insert the tray in to the fixing brackets

Step 2: Tighten the wing knobs (one on each side)

Depth Adjustment

Loosen the wing knobs (one on each side), adjust the height or depth of the tray, tighten the wing knobs. The gauge (shown below) will enable you to match up both sides



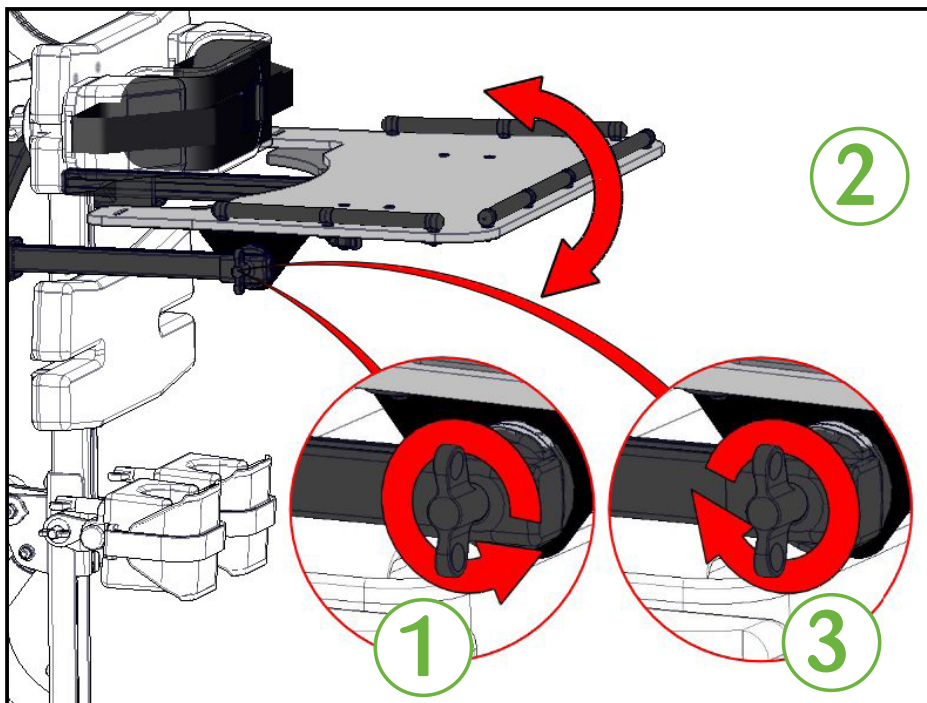
Why? What are the benefits?

Tray depth, height and angle are adjusted to place the tray in an appropriate position for the child to access activities comfortably

Tray angle / Depth



Angle Adjustment

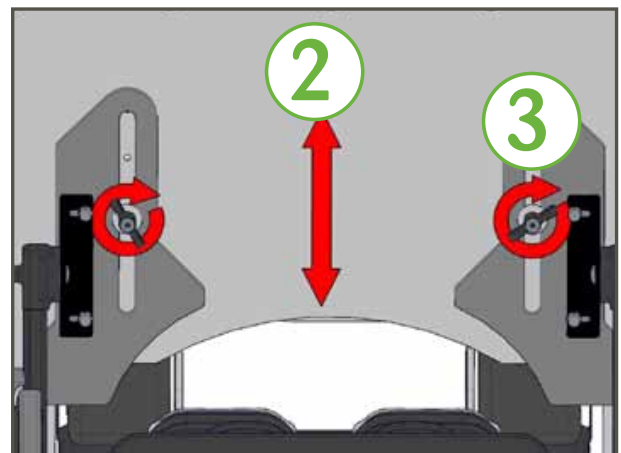
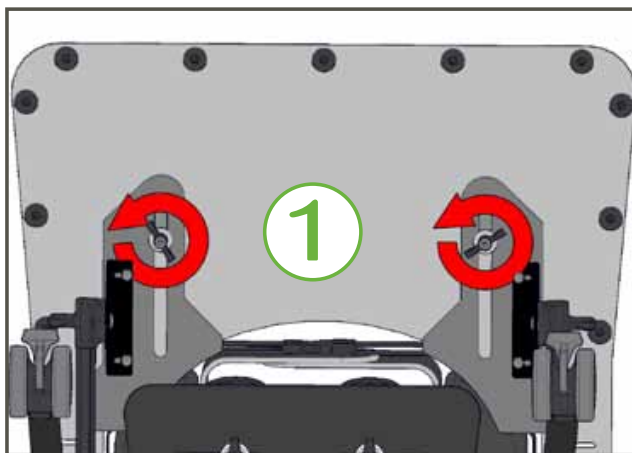


Step 1: Loosen the wing knobs (one on each side)

Step 2: Adjust the tray angle

Step 3: Tighten the wing knobs (one on each side)

Depth Adjustment



View of underside of tray

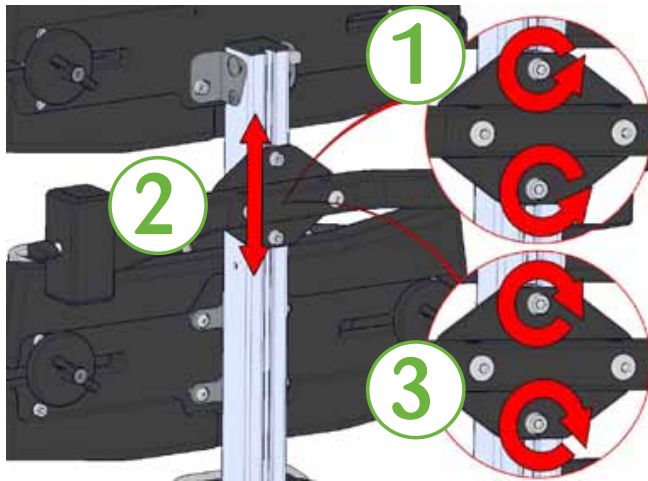
Step 1: Loosen the wing knobs (one on each side)

Step 2: Adjust the tray depth

Step 3: Tighten the wing knobs (one on each side)

Note: The tray depth must be at its minimum when the stander is in the prone configuration. There must not be a gap between the stander and the tray.

Tray fixing bracket height / remove

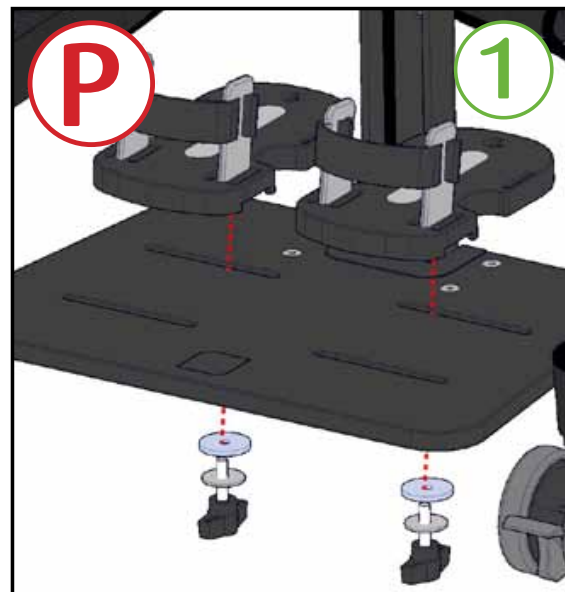
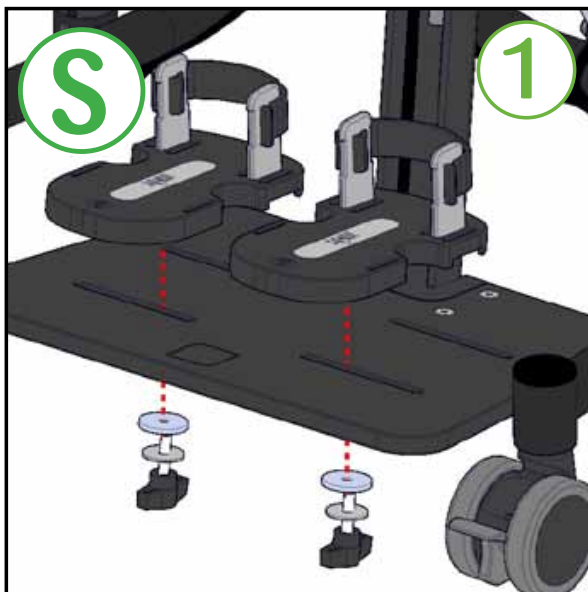


Step 1: Loosen the allen key bolts

Step 2: Adjust the height of the bracket or remove

Step 3: Tighten the allen key bolts

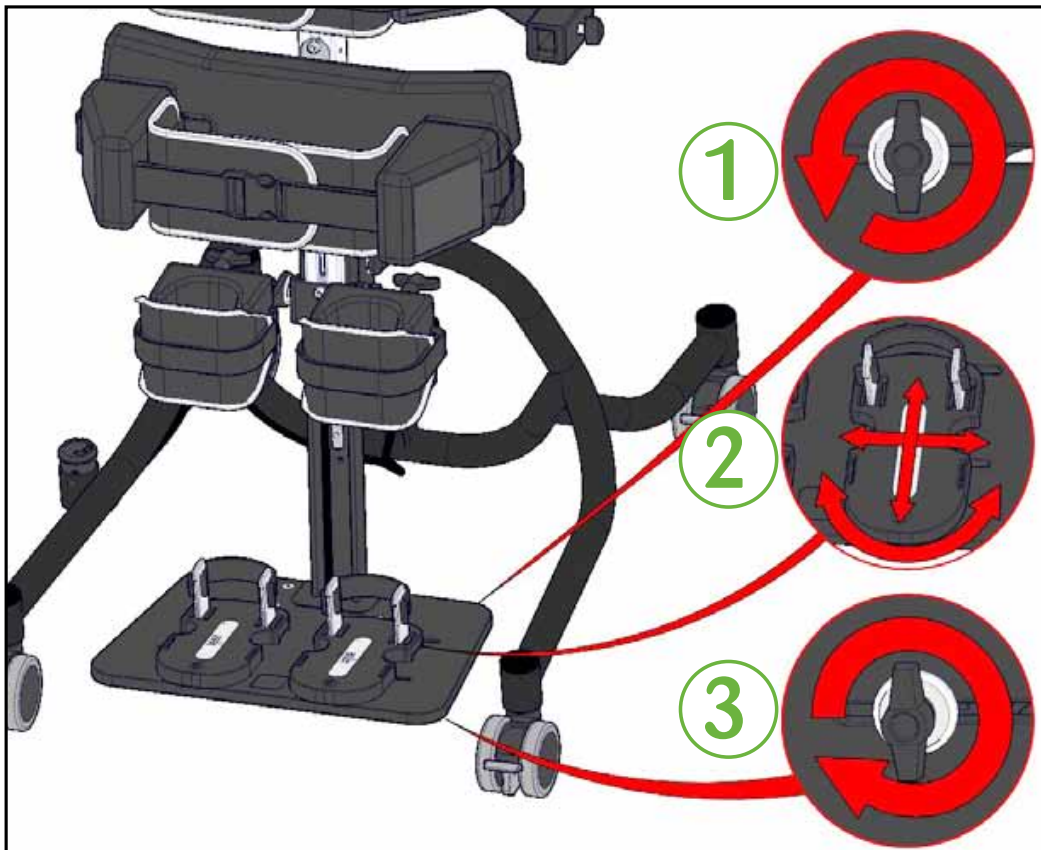
Fitting the sandals



Step 1: Insert the wing knob through the metal washer, then the plastic washer and through the footplate into the sandal, as shown above

Step 2: Tighten the wing knobs on the underside of the footplate

Adjusting the sandals



Why? What are the benefits?

Sandals are adjusted to influence the standing position of the child to improve posture and weight bearing.

Step 1: Loosen the wing knob (under the footplate)

Step 2: Adjust the angle, width and depth of the sandal

Step 3: Tighten the wing knob (under the footplate)

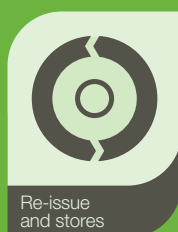


The straps must always be fastened in use and can be used in the two configurations shown opposite.

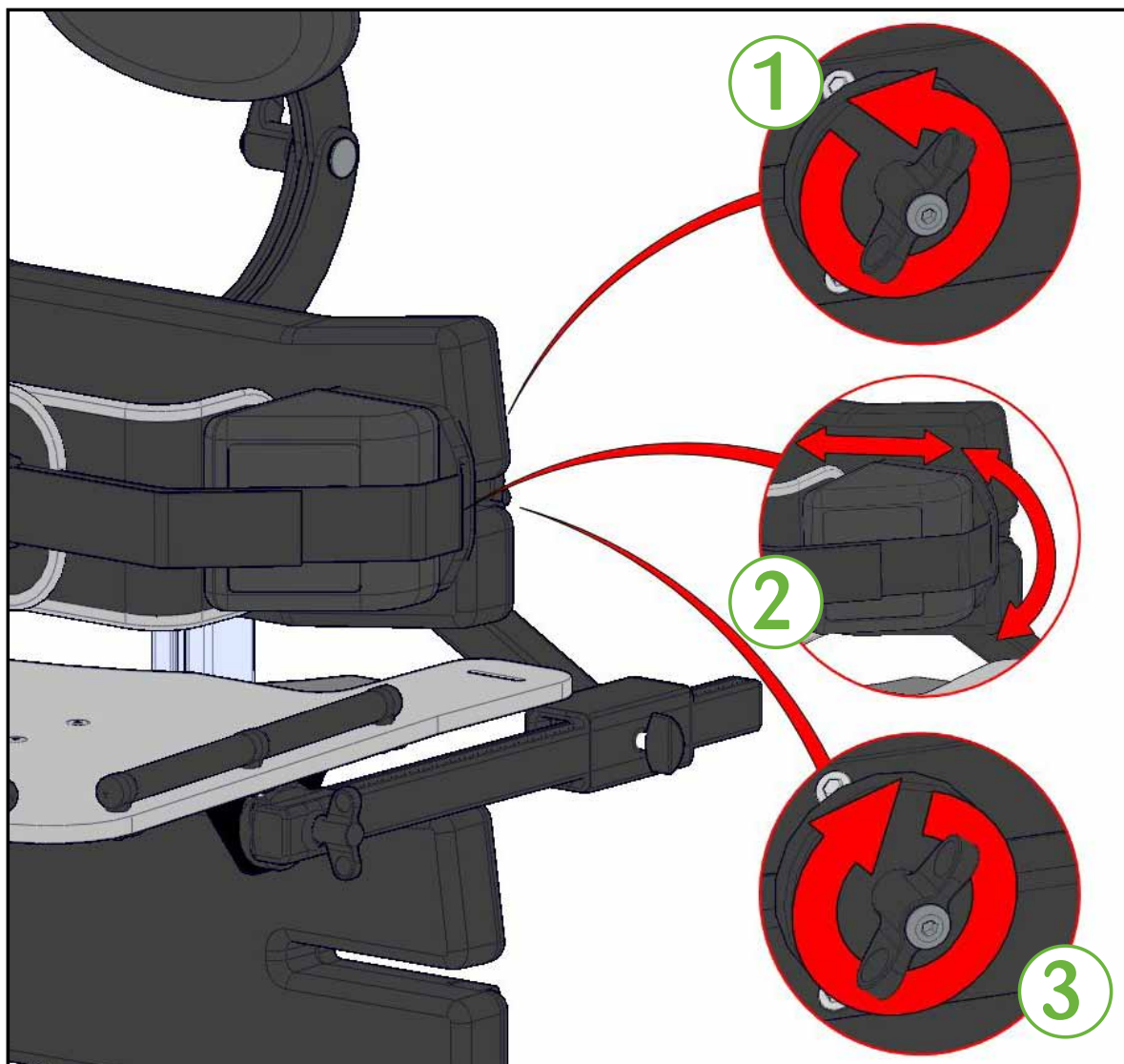


CHAPTER THREE

Clinical Adjustments



Support pad adjustment



Step 1: Loosen the wing knob on the back of the pad that you wish to adjust

Step 2: Adjust the width and angle of the pad

Step 3: Tighten the wing knob

Note: It is necessary to apply a little force to fit or remove the support pad from the stander. There is a notch in the plastic to limit the safe adjustment range.

Why? What are the benefits?

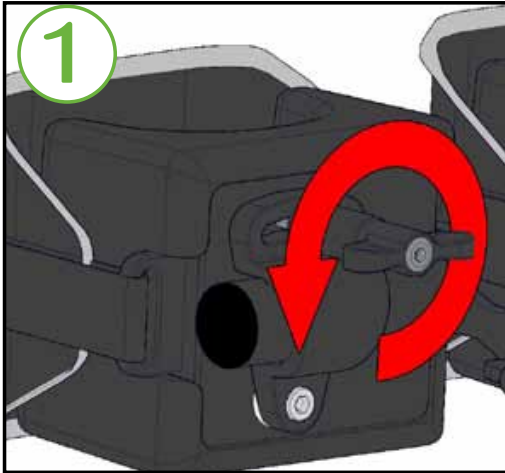
Support pads are adjusted to offer support to a child's torso. This may be close support for a weak child or may be a little distance from the child to encourage balance and posture shifting practice for a more able child. Pads can be used to 'brace' a child's spine where they have or are developing a scoliosis.

Kneeblocks



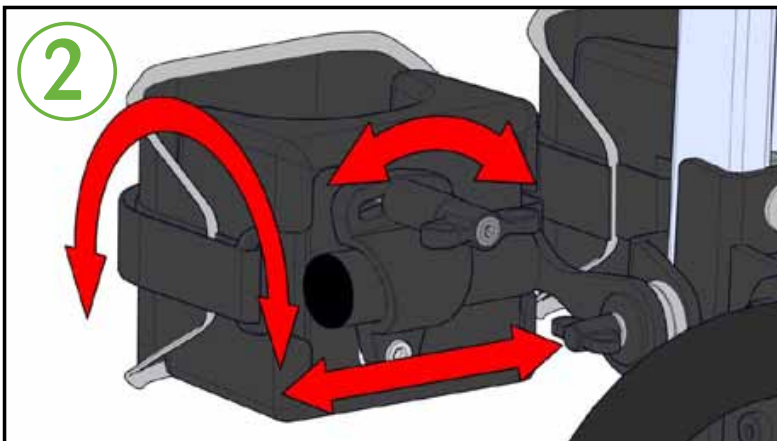
Angle and width adjustment

Note: Both sizes of kneeblocks adjust in the same way

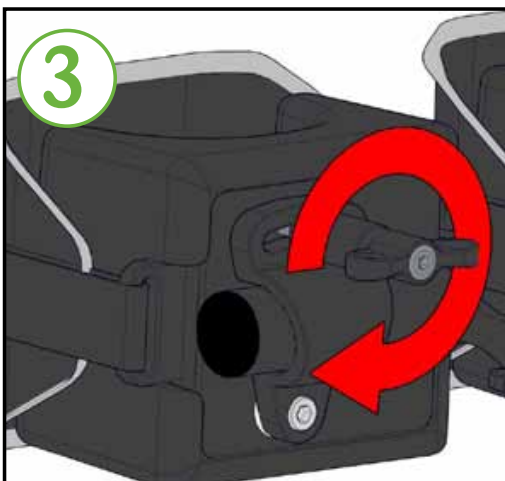


Take care of potential finger traps whilst adjusting the kneeblocks.

Step 1: Loosen the wing knob on the back of the kneeblock



Step 2: Adjust the kneeblock for angle in both directions and width



Step 3: Tighten the wing knob

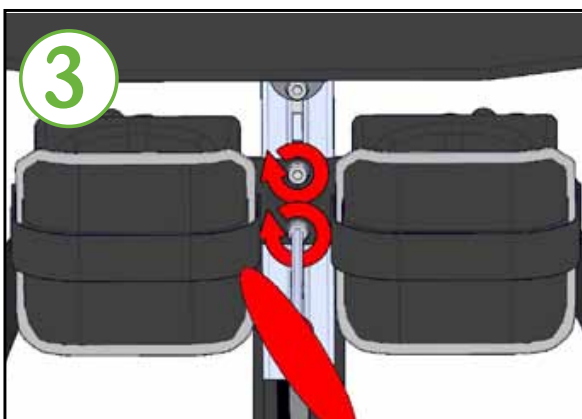
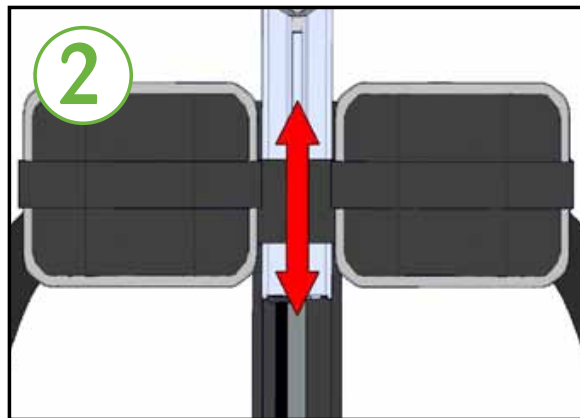
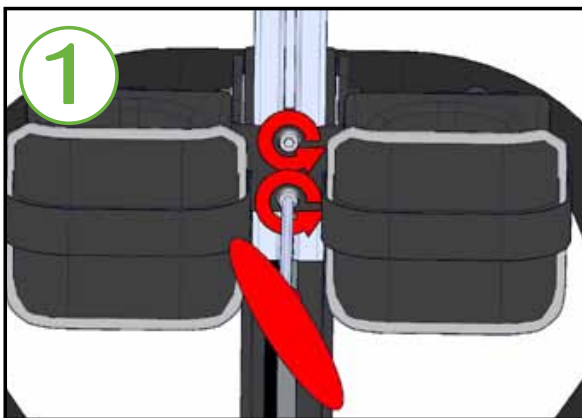
Why? What are the benefits?

The adjustment of the knee blocks is used to ensure safety of the child (especially in supine where the knee blocks will take a great deal of the child's standing weight) and to maintain extension of the knees and to work with the sandals to create the desired standing posture.

Kneeblocks



Height adjustment

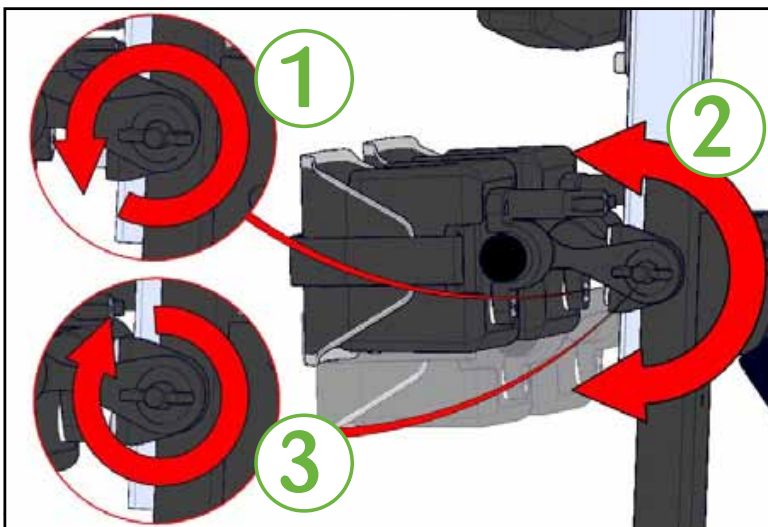


Step 1: Loosen the bolts

Step 2: Adjust the height of the kneeblocks

Step 3: Tighten the bolts

Further angle and height adjustment

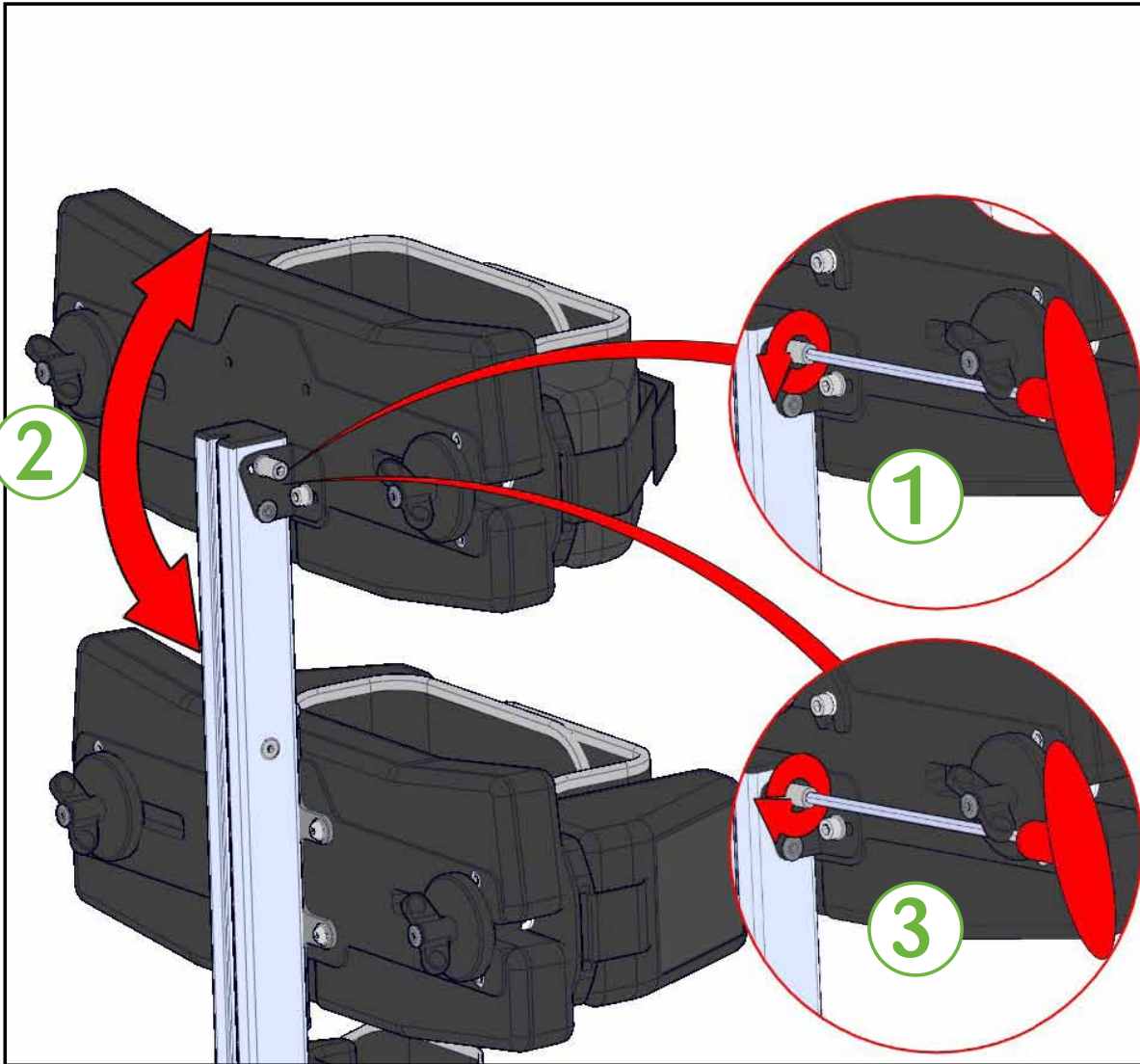


Step 1: Loosen the wing knob

Step 2: Adjust the angle and height of the kneeblock

Step 3: Tighten the wing knob and repeat for the opposite side

P Upper pad angle



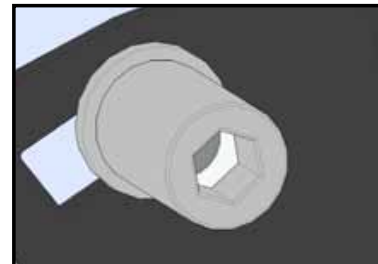
Step 1: Loosen the allen key nut with the allen key provided

Step 2: Adjust the angle of the pad

Step 3: Tighten the allen key nut

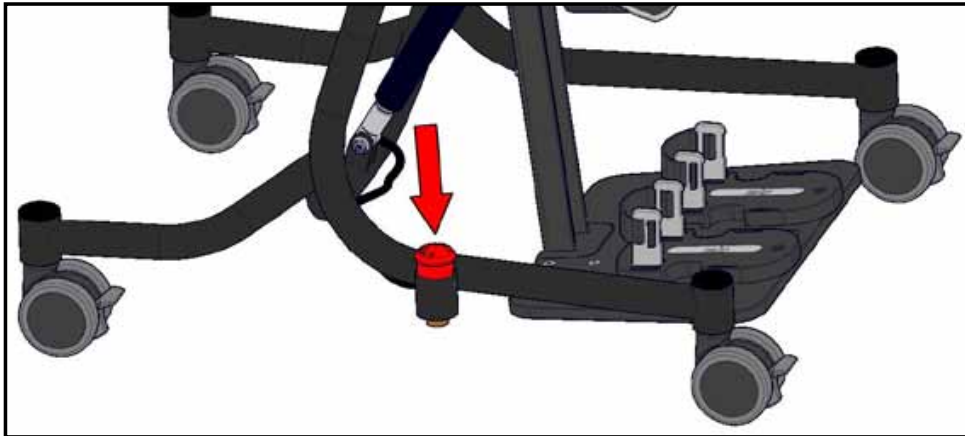
Why? What are the benefits?

The angle of the upper pad can be changed to encourage extension and head control. This adjustment is only used in prone.

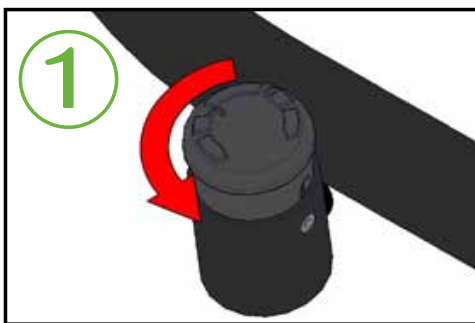


Close up of allen key nut

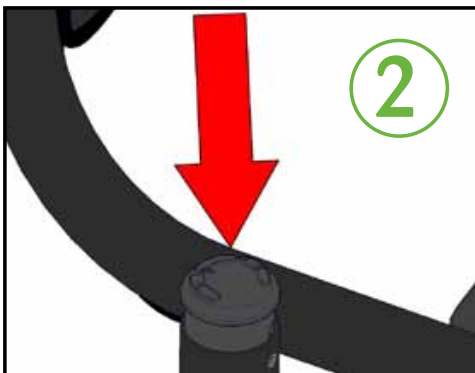
Angle Adjustment



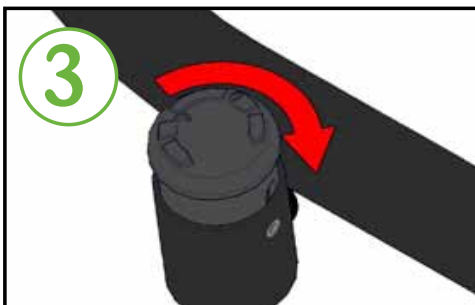
Push down foot button, shown in red for illustrative purposes only



Step 1: Unlock the push down foot button by turning it in an anti-clockwise direction (left).



Step 2: Push down on the foot button whilst keeping hold of the upper pad to control the adjustment. When the desired angle has been reached remove your foot from the button.



Step 3: Re-lock the button. To lock the foot button turn it in a clockwise direction (right).

Why? What are the benefits?

The angle adjustment of the whole board is used to alter the posture of the user and to increase or decrease weight bearing. It is also used in supine to allow a child to be hoisted on to a near horizontal surface to reduce manual handling.

Angle Adjustment



The stander in a vertical position

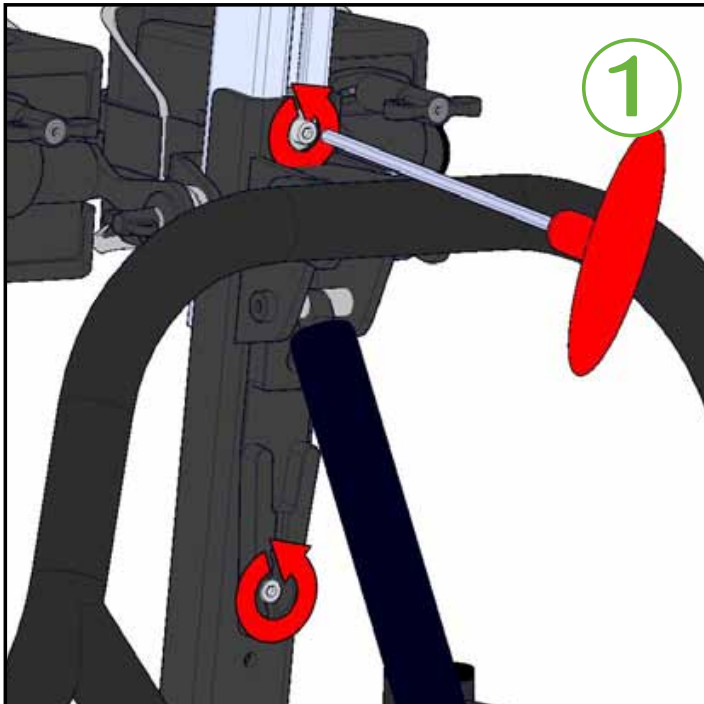


Hold on tight to the upper pad to steady the stander whilst changing the angle.

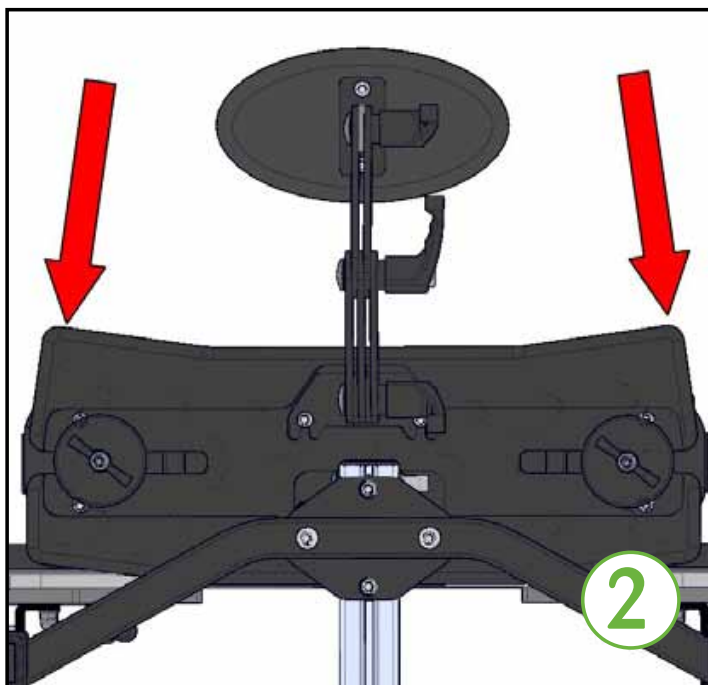


The stander in a horizontal position

Height adjustment



Step 1: Loosen the bolts with the allen key provided, as shown opposite



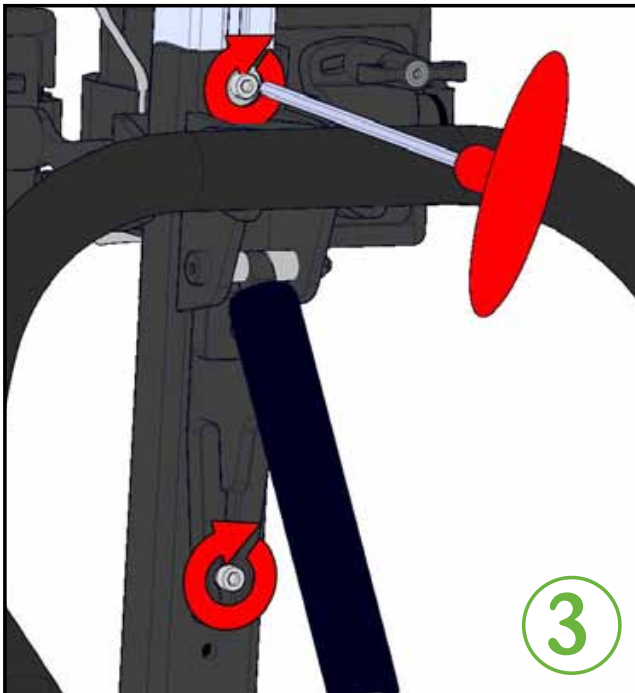
Step 2:

To lower the stander: Push down on the stander from the top pad, ensuring to apply equal pressure on both sides.

The stander will raise when the bolts are loosened.

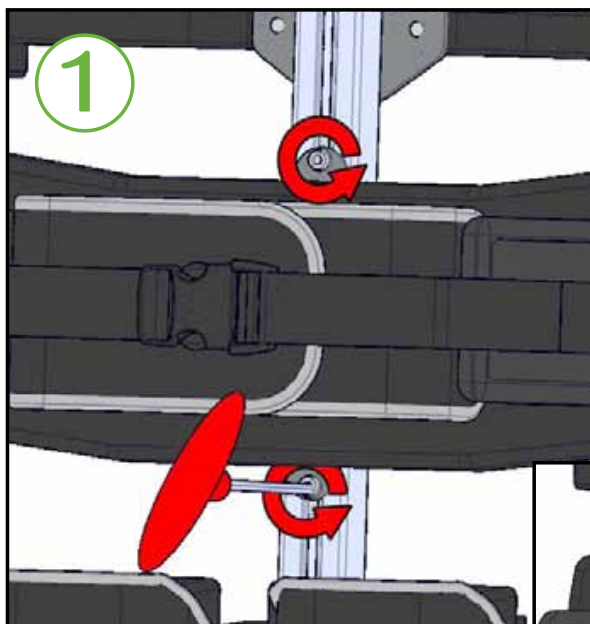
Why? What are the benefits?
The height of the board is adjusted to suit the height of the user.

Height adjustment



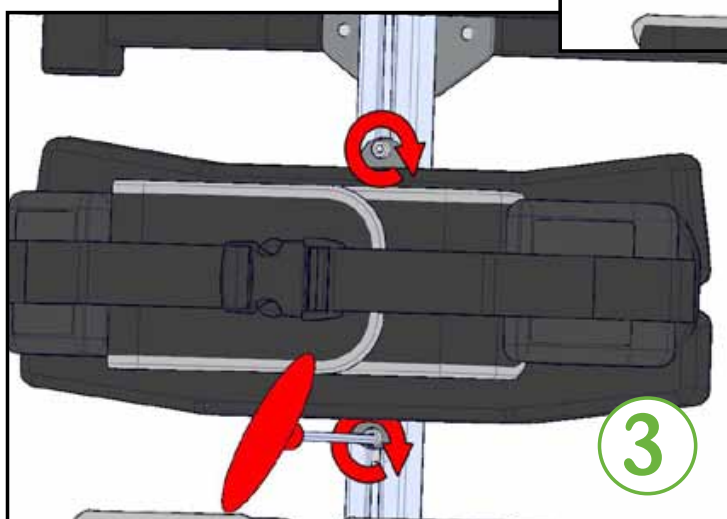
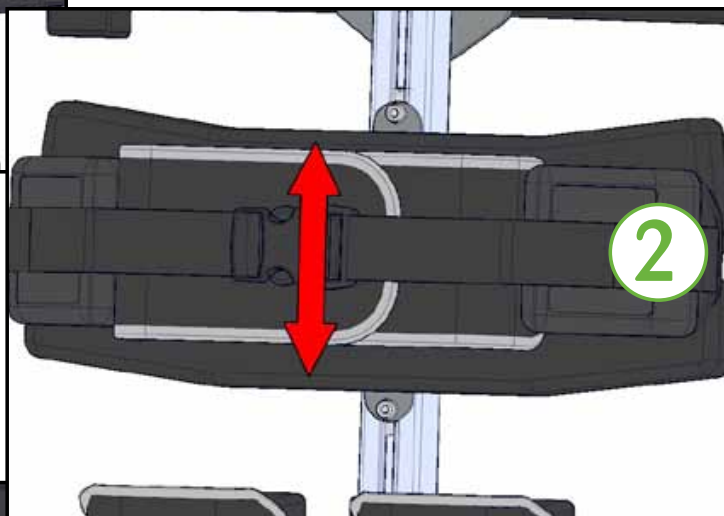
Step 3: Tighten the bolts using the allen key provided

Lower pad height



Step 1: Loosen the bolts with the allen key provided, as shown opposite

Step 2: Adjust lower pad height

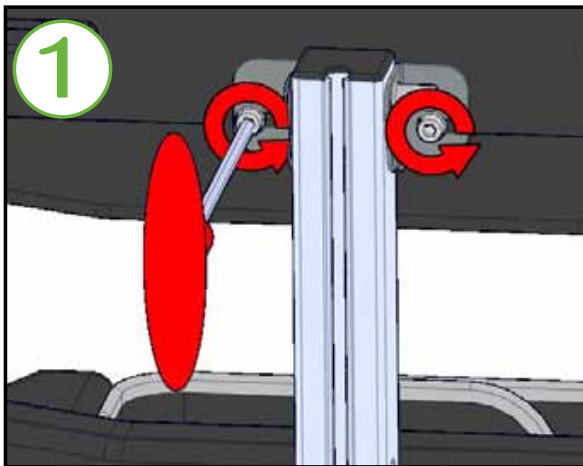


Step 3: Tighten the bolts with the allen key provided

Why? What are the benefits?

The lower pad and upper pad height adjustments are used to set the pads at the correct height and proportions for each user.

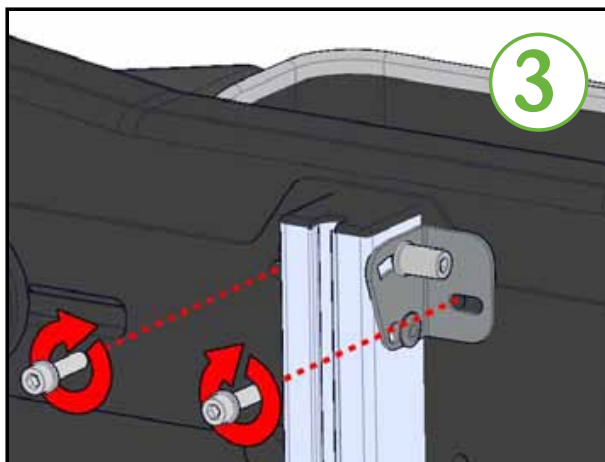
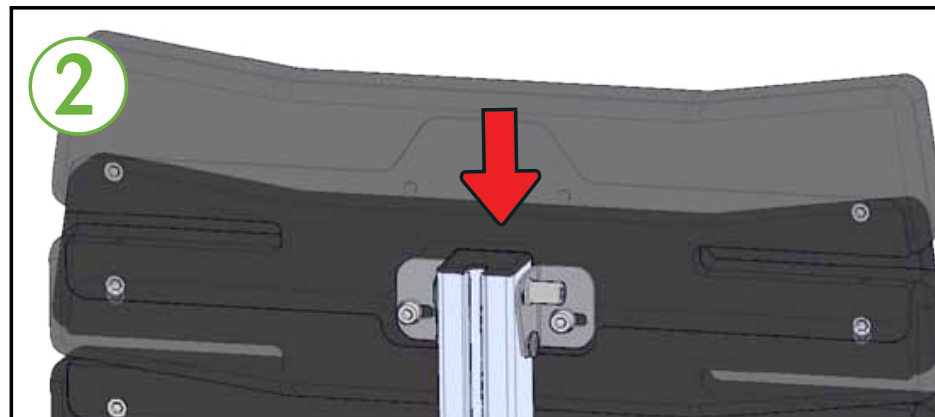
P Upper pad height adjustment



Note: If the headrest bolts have been left in the top holes of the upper pad, they will need to be removed prior to adjusting the height of the upper pad.

Step 1: Undo and remove bolts and washers as shown opposite. Ensure that you keep hold of the pad whilst doing this.

Step 2: Lower the pad until the upper bolt holes on the pad line up with the holes on the bracket

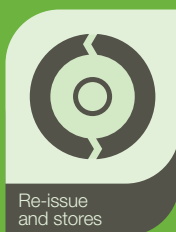


Step 3: Insert the bolts back through the bracket and into the holes in the back of the pad. Ensure the washer stays in place on the bolt. Tighten both using the allen key provided.

Note: This adjustment is only to be used with very small children in prone standing. The pad must be in the upper position for supine standing

CHAPTER FOUR

Optional Components



Removable covers and chest prompt



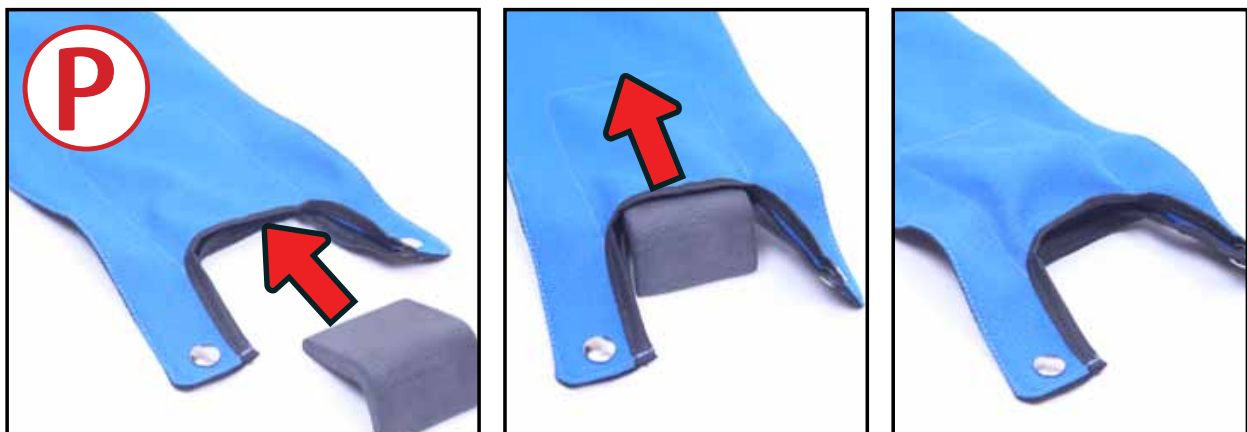
Removable covers



The photo shows a set of removable covers, the covers can be used on the stander in supine or prone

Fitting the chest prompt into the cover

The chest prompt can be slotted into the top cover for use in prone standing, as shown below:



Why? What are the benefits?

Removable covers are used to protect the surface of the board and also to house the chest prompt. The chest prompt is used to increase extension of the thorax and can help to improve head control. This is only used in the prone configuration.

Removable covers and chest prompt



Fitting the removable covers



Step 1: Wrap the cover around the pad



Step 3: Fix using both press studs



Stander with both covers in place

S Fitting the headrest

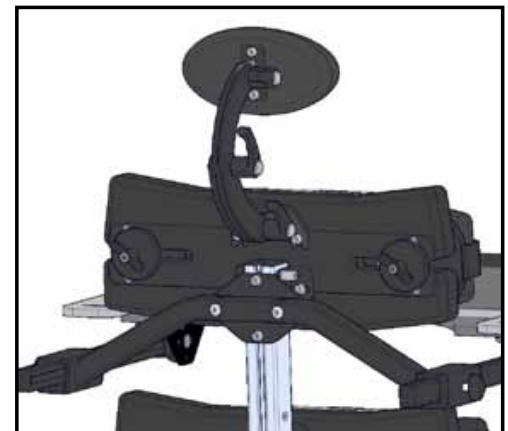
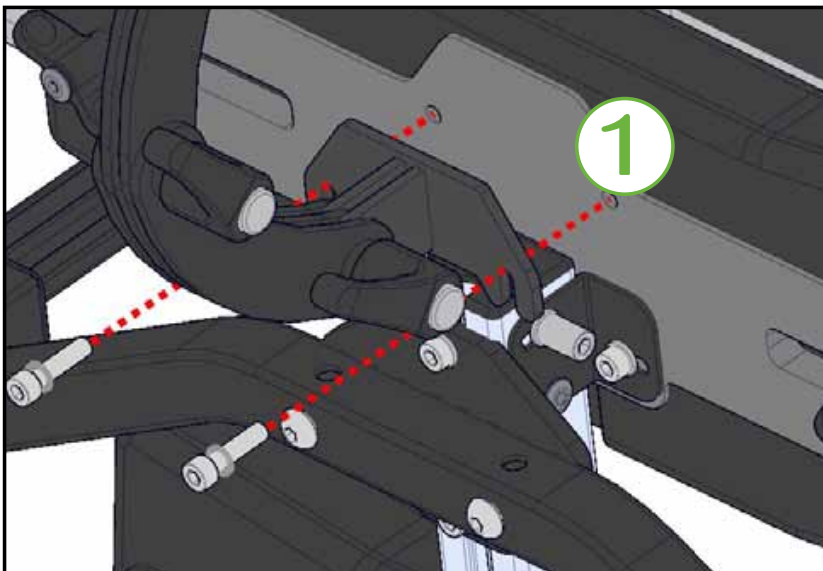


Multigrip Headrest (MH01)

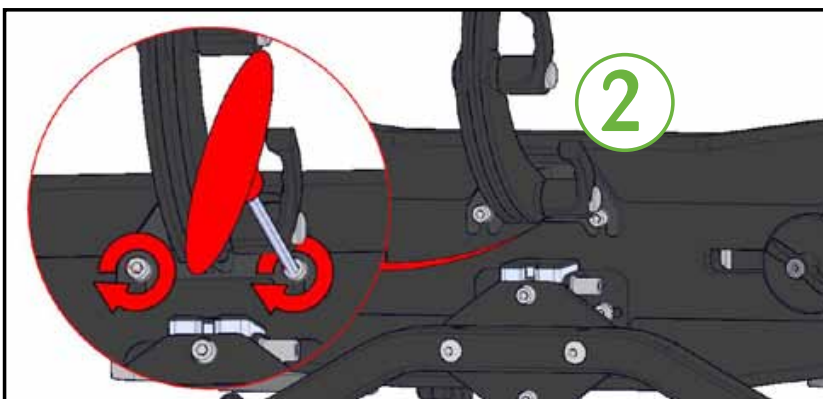


Oval Headrest (MH02)

Why? What are the benefits?
Headrests are used to support a child's head. Only use in the supine configuration. Headrests can be adjusted to offer more or less support depending on the needs of the child.



Step 1: Insert the bolts through the washer, plate on the headrest and into the top pad, as shown



Step 2: Tighten the bolts using the allen key provided

S Headrest adjustment



Using the clamping lever: Loosen



Step 1: Pull the lever out to disengage



Step 2: Keeping the lever pulled out, rotate the lever clockwise to the upper most position

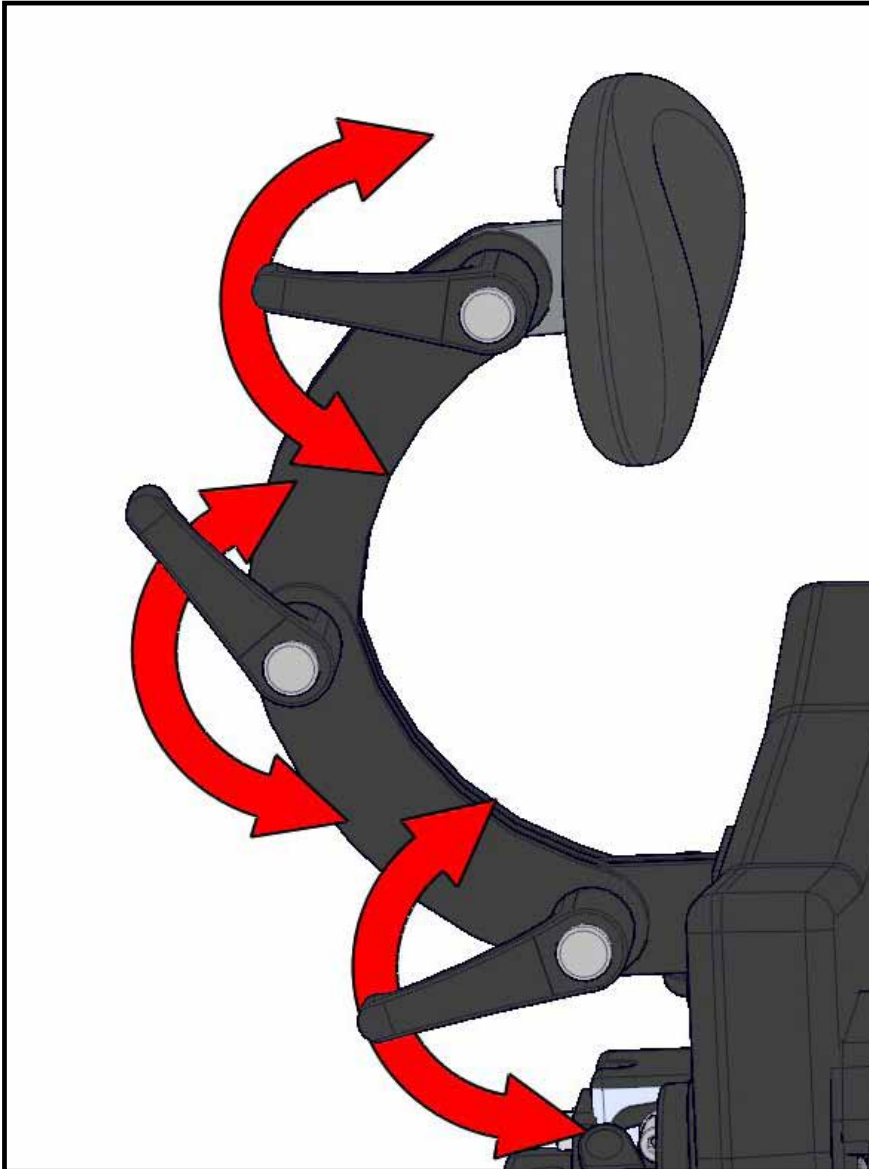


Step 3: Release the lever



Step 4: Rotate the lever anti-clockwise to loosen. Repeat steps 1 to 4 to loosen further.

S Headrest adjustment



Adjust the angle of the joint that you have loosened



Always ensure levers are left in an appropriate and safe position



Ensure that the headrest is not set to a position that would enable the user to come into contact with the metal links

S Headrest adjustment



Using the clamping lever: Tighten



Step 1: Turn the lever clockwise to tighten.
If the headrest needs further tightening continue to step 2.



Step 2: Pull the lever out to disengage the ratchet



Step 3: Turn the lever anti-clockwise

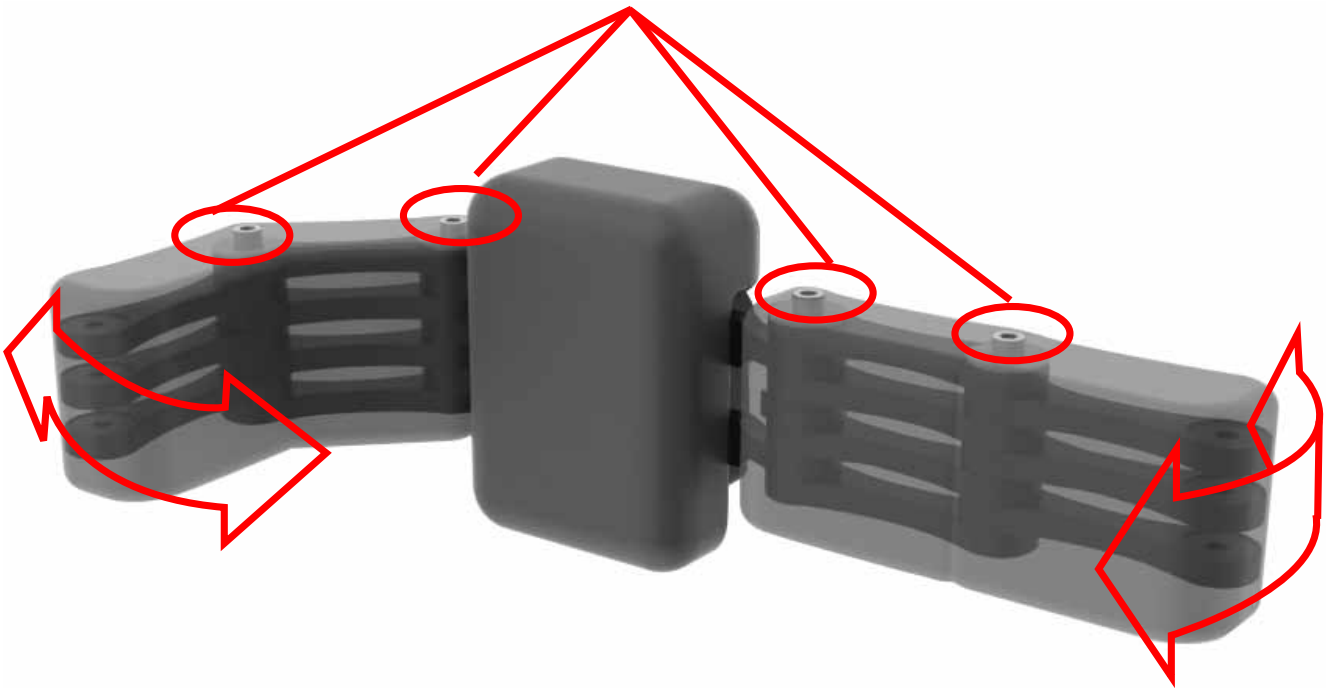


Step 4: Release the lever and return to step 1

S Multigrip headrest

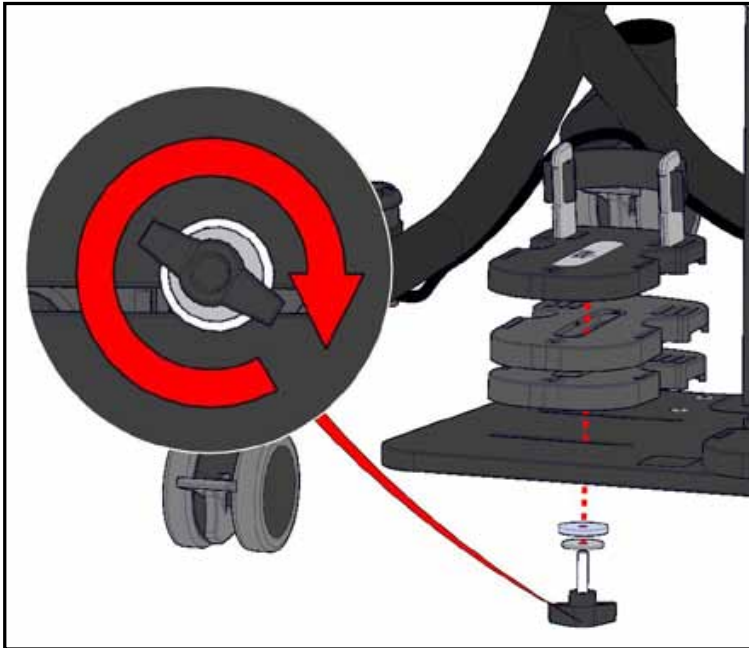


Use these bolts to adjust position of the Multigrip links



To move Multigrip links under the bolts shown above. The links can then be easily moved to desired position. Once position is achieved tighten the bolts securely.

Sandal raising blocks



Step 1: Insert the wing knob through the metal washer, plastic washer, through the footplate, sandal raising block and into the bottom of the sandal.

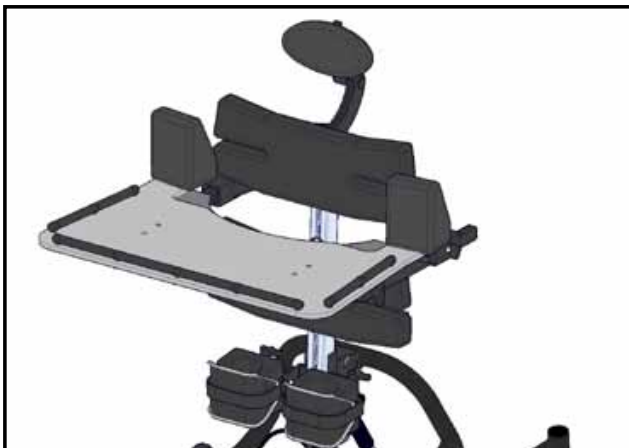
Step 2: Tighten the wing knob.

Note: Up to four sandal raising blocks can be used with each sandal. Ensure that the correct length wing knob is used to suit the number of blocks used, 4 lengths are supplied with the raising block kit.

Why? What are the benefits?

These are used to make up for a leg length discrepancy.

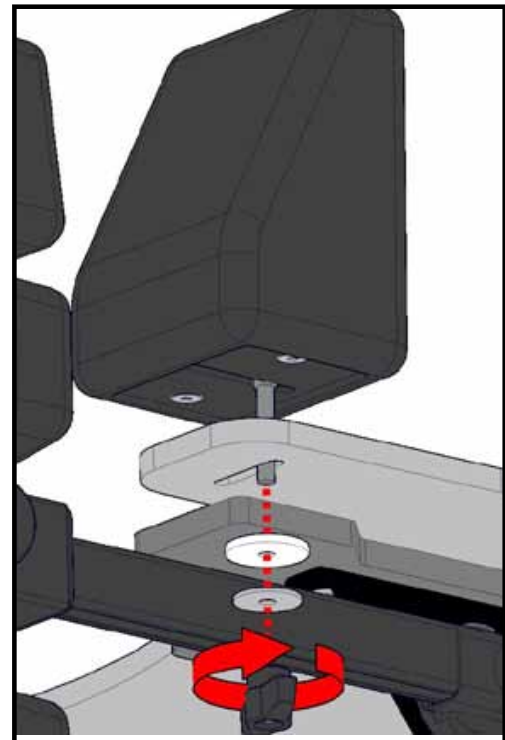
Elbow blocks (tray)



Fitting: Insert the studding through the slot in the tray, through the plastic washer, metal washer and onto the wing knob as shown opposite

Why? What are the benefits?

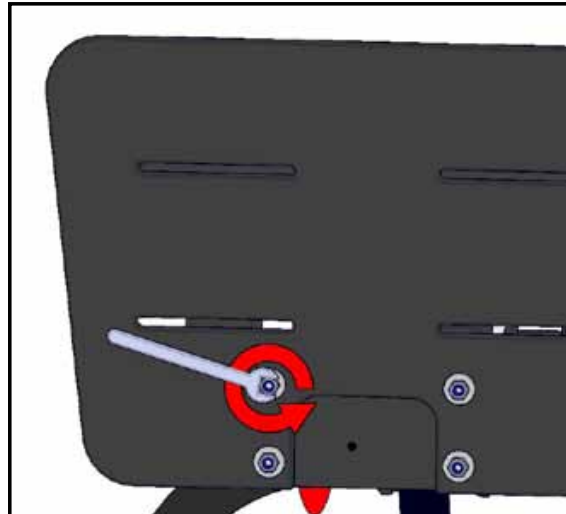
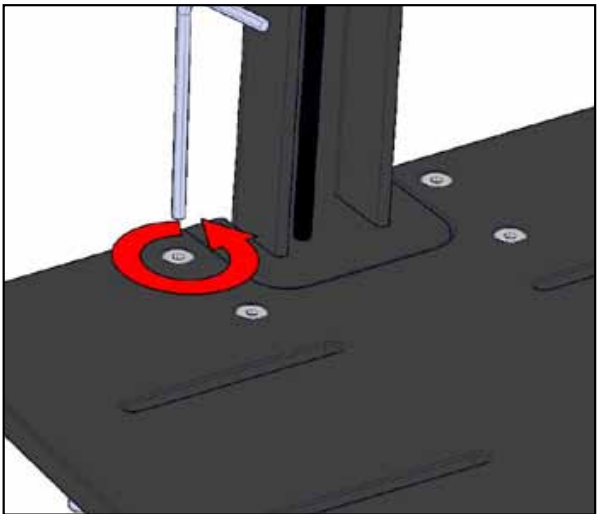
These are used to encourage a child's hands to stay on the tray and to resist attempts to take elbows backwards off the tray.



Angle adjustable footplate



Removing the current footplate



Step 1: Remove the 4 bolts from the top of the footplate, using the allen key and spanner provided. The allen key is used for the bolt heads on top of the footplate and the spanner for the nuts on the underside.

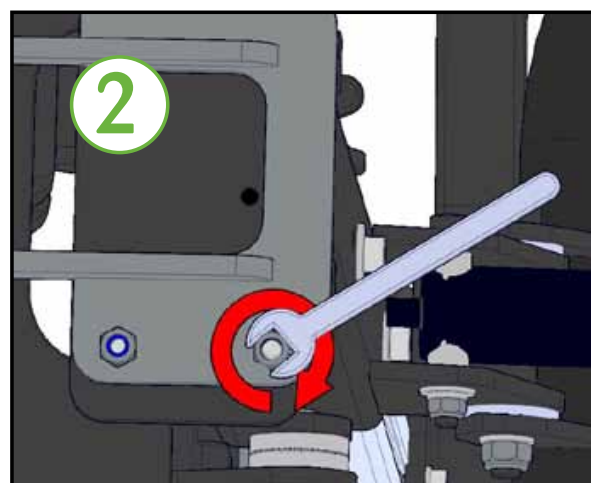
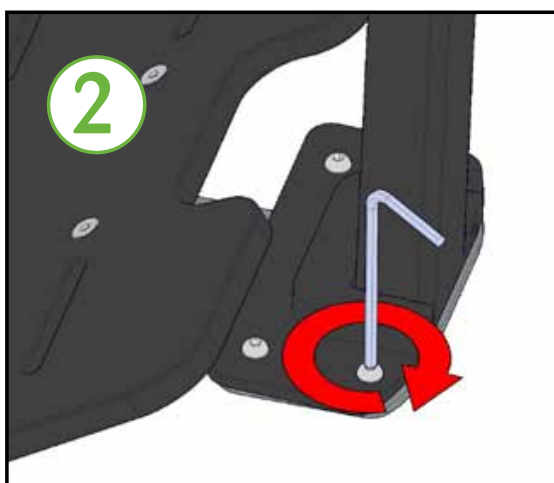
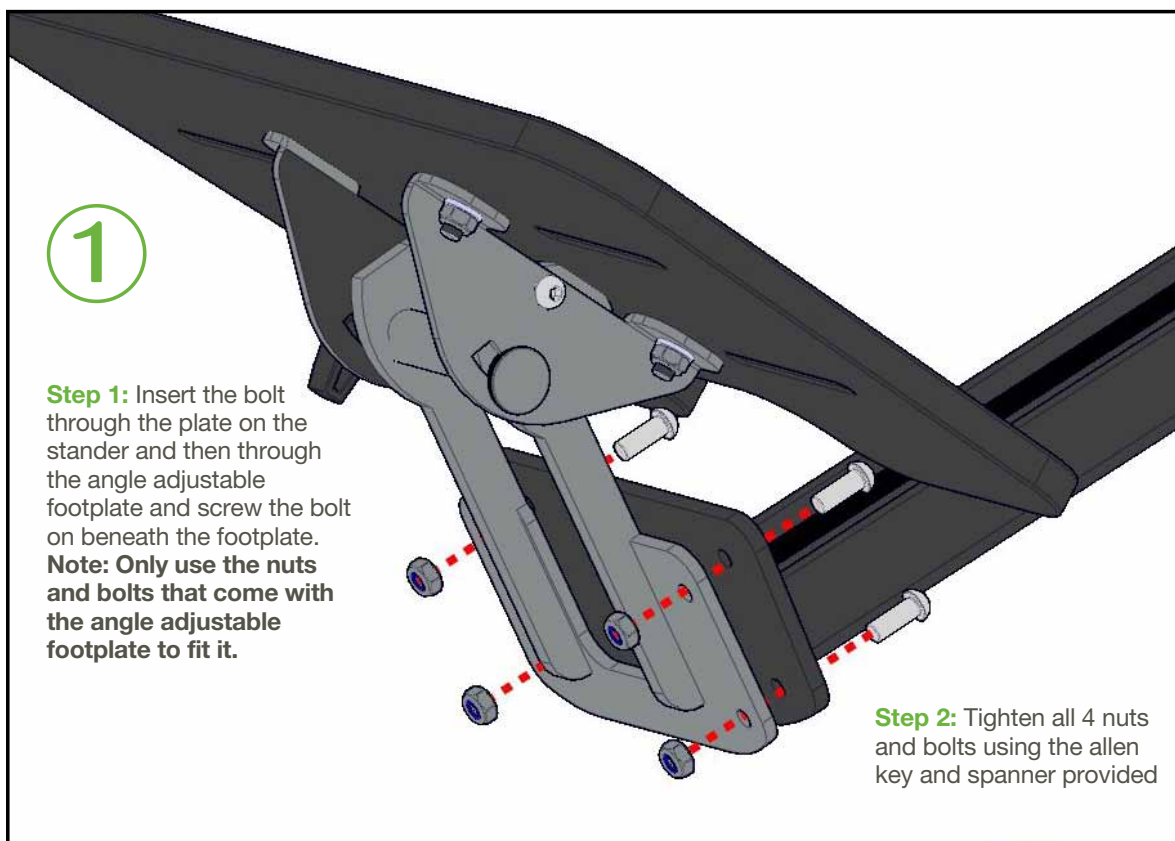


Step 2: Remove the footplate

Angle adjustable footplate



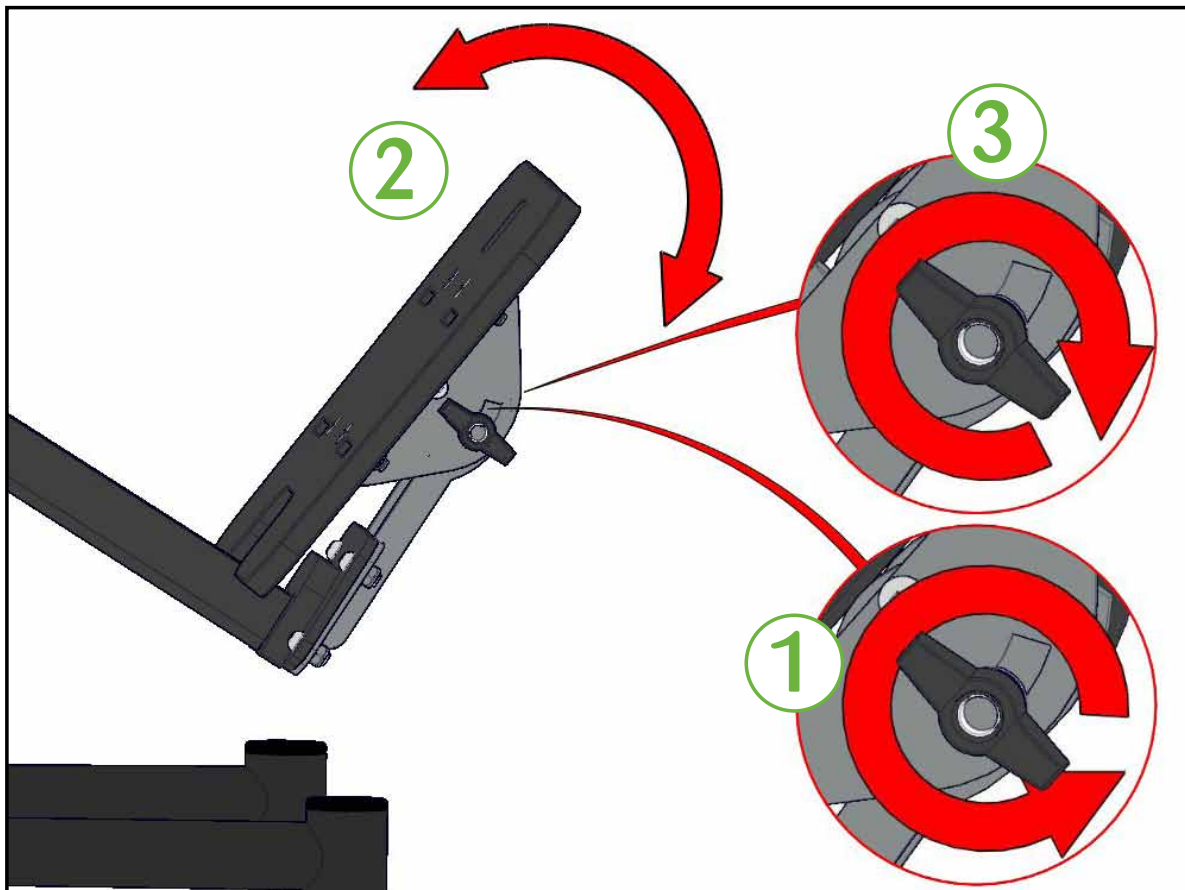
Fitting the angle adjustable footplate



Angle adjustable footplate



Adjusting the angle



- Step 1:** Loosen the wing knob
Step 2: Adjust the angle of the footplate
Step 3: Tighten the wing knob

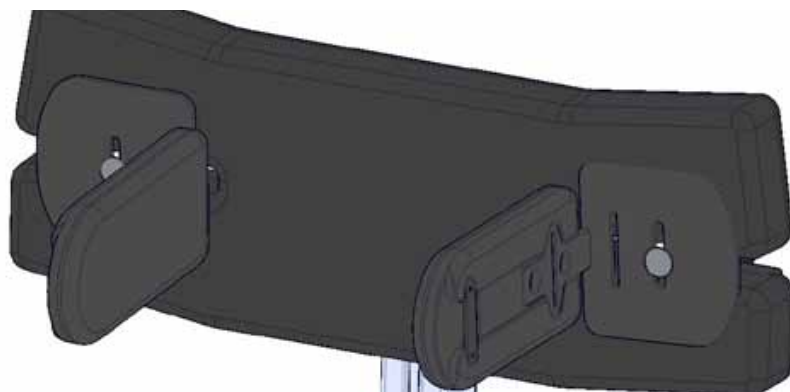


Do not adjust the angle of the footplate when the stander is occupied

Why? What are the benefits?

This is used to alter the angle of the footplate which may be necessary for some children to improve their posture and weight bearing.

Thin thoracic pads



Thin thoracics are fitted and adjusted in the same way as the positioning pads, see **page 19 for fitting instructions** and **page 32 for adjustment instructions**

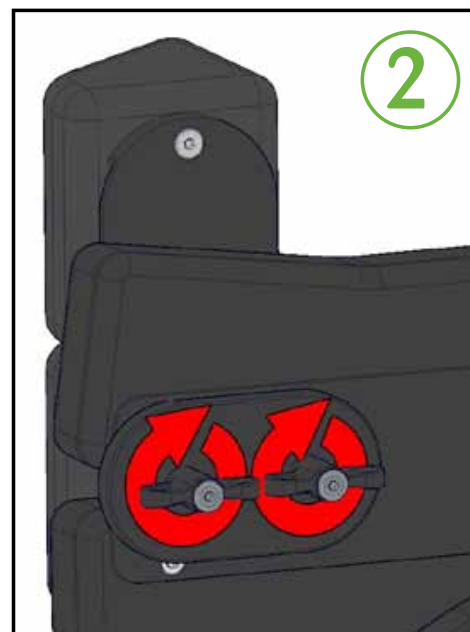
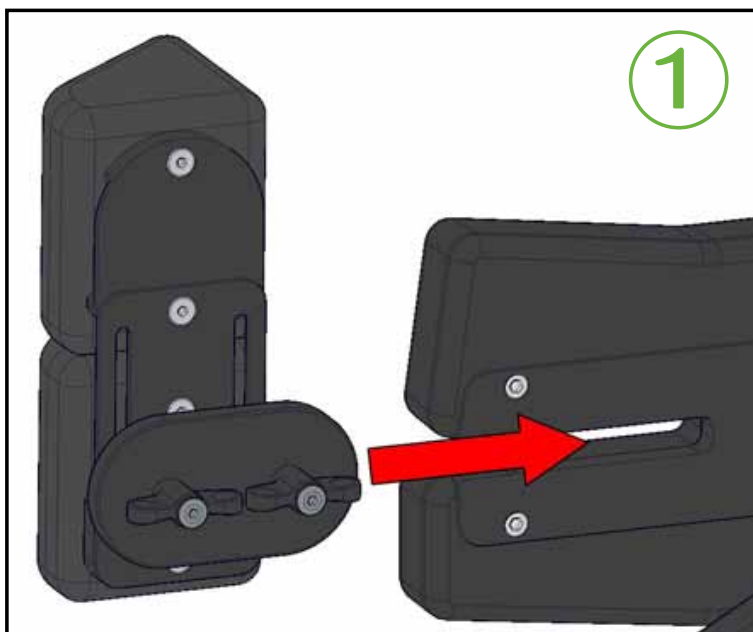
Why? What are the benefits?
These may be used with smaller children or where the broader pads are found to impede arm function.

High rise thoracic pads



Fitting the pads

Note: only use in prone



Step 1: Slide the pad into place

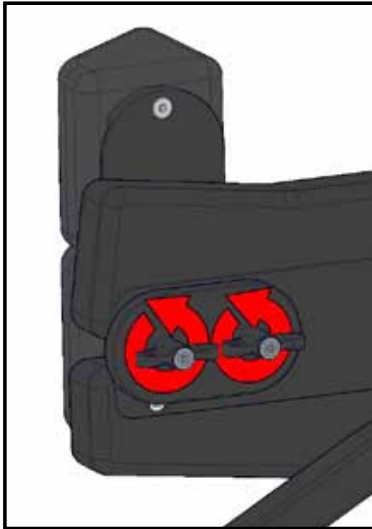
Step 2: Tighten the 2 wing knobs

Why? What are the benefits? High rise thoracic pads are used in prone standing to encourage protraction of the shoulders and to bring the arms into midline. This will tend to improve arm function.

High rise thoracic pads



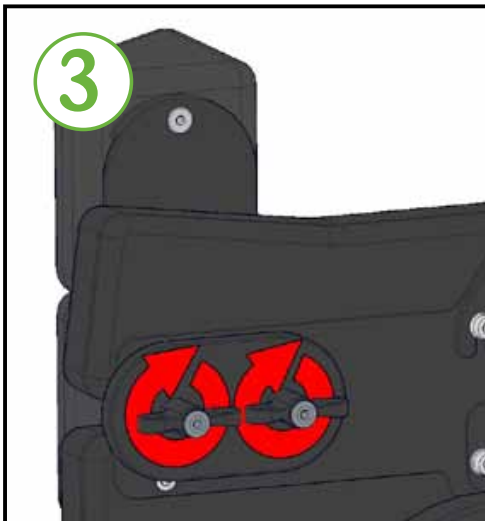
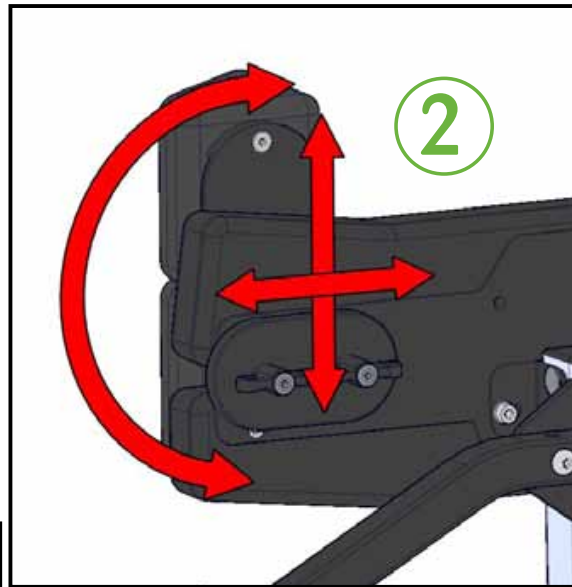
Adjusting the pads



1

Step 1: Loosen the wing knobs

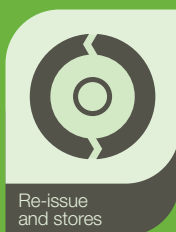
Step 2: Adjust the angle, height and depth of the pad



Step 3: Tighten the wing knobs

CHAPTER FIVE

Maintenance & Inspection



Maintenance & Inspection



Each Jenx product must be checked and inspected in line with the advice given in this IFU. Failure to complete these regular checks poses a risk to the user. Every year, each product must be thoroughly inspected by a person competent to assess faults and able to rectify or out-source rectification. The maximum period that should elapse between full product inspections is 1 year. After 3 years or from purchase where a product is subject to heavy use, this should be increased to six monthly full inspections. For complete peace of mind, Jenx Limited offers Product Inspections. Charges apply

Jenx Limited products are usually assessed for an individual client, therefore the following points must be adhered to prior to the re-issuing of any Jenx products.

- Check with issuing Therapist that the product is standard and no special attachments or modifications have been made. If modifications have been made: contact Jenx Limited for advice
- Check that the product has been fully cleaned, taking into account the condition of the fabric and the foam inside
- Check that all hand wheels and levers are in good condition and fitted securely
- Check the product and any accessories fully for any sign of wear and tear or distortion
- Check that all the functions of the product are working correctly e.g. tilt, height adjustment or back recline, etc.
- Always ensure that the Instruction For Use stays with the product and is passed on to the new user. For new sets of instructions please contact our Sales Support Department on 0114 285 3376 or visit www.jenx.com
- If the product is being delivered, always ensure that the product is packed securely
- We strongly recommend that all straps and harnesses are replaced with new ones before re-issue. Only genuine Jenx parts should be fitted
- Check that gas spring levers are not bent. Do not use the product if any levers are bent. Contact Jenx Limited to arrange replacement
- Check that the product to be re-issued is to the correct specification for the intended new user. Each user may require different ranges of accessories

Follow the product log book document, supplied separately.

Use extra pages if required, extra sheets are available from the Jenx Limited website: www.jenx.com

Maintenance & Inspection



Stores should follow the MHRA guidelines for the recording, issuing, servicing or repairing of products in their charge. Check the MHRA web site for the latest bulletins:

www.mhra.gov.uk

- **Structure** is the product structurally sound, no wobbles or loose parts?
- **Safety** is the product safe and fit for use?
- **Straps** are the straps in good condition and not showing any signs or wear? Check straps for fraying and missing or broken buckles, ensure all webbing end clips are in place.
- **Stability** is the product stable on an even surface, no rocking?
- **Screws, Nuts and Bolts** Are there nuts and bolts missing or damaged?
- **Castors** are the castors in good order? Do swivels and brakes work?
- **Springs** do all gas springs work and hold pressure and weight?
- **Sandals** are the sandals in good condition? Do straps and Velcro show signs of wear?
- **Upholstery and PU** is the upholstery and PU in good, clean condition with no rips, wear or gaping of the cushions?
- **Steel and Woodwork** is the steel and wood work in good order? Check for deformities, splinters or breaks

If there is any doubt about the safety of the product, do not hesitate to contact our Customer Support Department for advice

Products should be thoroughly decontaminated in line with MHRA and local guidelines prior to inspection, storage and re-issue

Jenx Limited can take no responsibility for re-issue of products

Frequently Asked Questions







Question: Who is a qualified person to inspect products?

Answer: The purchasing authority has a duty under the MHRA guidelines DB2006 (05) to address training for Medical Devices Management. Check with your authority.

Question: Does Jenx run technical competency courses?

Answer: Yes. Please visit jenx.com for details of available courses.

Notes

-  Seating
-  Standing
-  Sleeping
-  Therapy
-  Mobility
-  Bathroom



Jenx Limited, Wardsend Road, Sheffield S6 1RQ
T: 0114 285 3376 E: sales@jenx.com **jenx.com**